



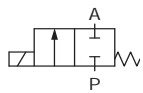
## 2/2- and 3/2-Way Rocker Solenoid Valve

- Direct acting
- Hermetic isolation of fluid from the actuator
- Vacuum to 10 bar
- Orifice 2 or 3 mm
- Manual override as standard

The 6608 analytical solenoid valve combines all state of the art features in a compact design.

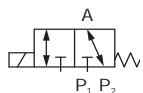
With high reliability, virtually no heat transfer between fluid and coil, low internal volume and Burkert's expertise in supplying customized solutions, these valves are a perfect fit even for the most demanding applications.

### Circuit function A



2/2-way valve,  
direct acting,  
normally closed

### Circuit function T



3/2-way valve,  
direct acting,  
universal function

Other circuit functions on request.

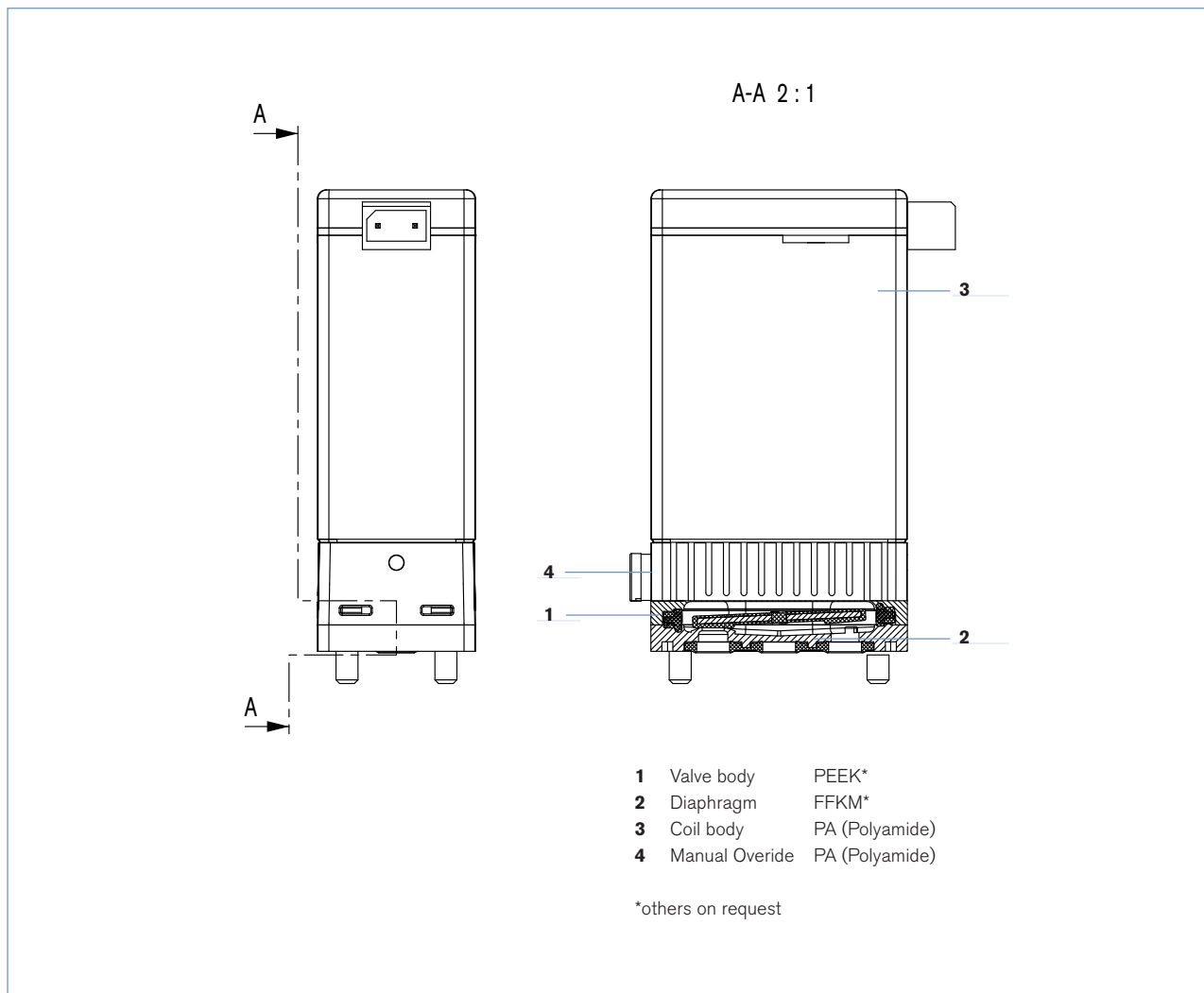
Technical data	
<b>Orifice</b>	DN 2.0–3.0 mm
<b>Body material</b>	PEEK (PPS on request - Type 6128)
<b>Seal material</b>	FFKM (Perfluorelastomer) FKM and EPDM on request
<b>Medium</b>	Resistant to neutral and aggressive gases and liquids acc. to our chemical resistance chart
<b>Medium temperature</b>	0 to +70 °C
<b>Ambient temperature</b>	0 to +60 °C
<b>Viscosity</b>	max. ca. 21 mm <sup>2</sup> /s
<b>Port connection</b>	Bürkert sub-base G 1/8 NPT 1/8
<b>Operating voltage</b>	12 V DC, 24 V DC LED and Rectifier on request Other voltages on request
<b>Voltage tolerance</b>	±10%
<b>Power consumption</b>	5 W
<b>Duty cycle</b>	100 % continuous operation
<b>Response times</b>	opening closing
	18 ms 8 ms
<b>Manual override</b>	Standard (non-lockable)
<b>Electrical connections</b>	Rectangular plug or single flying leads, 500 mm, cable plug form B on request
<b>Protection class</b>	IP 40
<b>Installation</b>	As required, preferably with actuator in upright position

## Characteristics

Circuit function	Orifice DN [mm]	Kv value water [m³/h]	QNn value air [l/min]	Pressure range [bar]1)	Response times		Max. Pressure difference [bar]	Max. Pressure difference [PSI]
					opening [ms]	closing [ms]		
A	2.0	0.10	104	Vacu-10	18	8	10	145
	3.0	0.16	170	Vacu-3	18	8	3	43.5
T	2.0	0.11	119	Vacu-5	18	8	5	72.5
	3.0	0.18	195	Vacu-2	18	8	2	29

- Flow rate  $k_v$ -value water [m³/h]:  
Measured at +20 °C, 1 bar pressure to atmosphere
- Response times [ms]:  
Measured at valve outlet at 3 bar and +20 °C according to ISO 12238  
**Opening:** Pressure rise from 0 ... 10%  
**Closing:** Pressure drop from 100 ... 90%

## Material specification



## Ordering chart

Circuit function	Orifice [mm]	Body material	Seal material	Voltage/ Frequency [V/Hz]	Port connection	Electrical connection	Item no.
A	2.0	PEEK	FFKM	12/DC	Bürkert sub-base	Rectangular plug	160 730
						Flying leads, 500 mm	160 741
					G 1/8	Rectangular plug	160 742
				NPT 1/8	Rectangular plug	160 829	
				24/DC	Bürkert sub-base	Rectangular plug	160 743
						Flying leads, 500 mm	160 744
	G 1/8	Rectangular plug	160 745				
	3.0	PEEK	FFKM	12/DC	Bürkert sub-base	Rectangular plug	160 746
						Flying leads, 500 mm	153 135
					G 1/8	Rectangular plug	160 747
				NPT 1/8	Rectangular plug	160 831	
				24/DC	Bürkert sub-base	Rectangular plug	150 825
Flying leads, 500 mm						150 826	
G 1/8	Rectangular plug	160 748					
T	2.0	PEEK	FFKM	12/DC	Bürkert sub-base	Rectangular plug	160 749
						Flying leads, 500 mm	160 750
					G 1/8	Rectangular plug	160 751
				NPT 1/8	Rectangular plug	160 833	
				24/DC	Bürkert sub-base	Rectangular plug	160 752
						Flying leads, 500 mm	160 753
	G 1/8	Rectangular plug	160 754				
	3.0	PEEK	FFKM	12/DC	Bürkert sub-base	Rectangular plug	160 755
						Flying leads, 500 mm	159 356
					G 1/8	Rectangular plug	160 756
				NPT 1/8	Rectangular plug	160 835	
				24/DC	Bürkert sub-base	Rectangular plug	150 797
Flying leads, 500 mm						149 485	
G 1/8	Rectangular plug	160 757					
NPT 1/8	Rectangular plug	160 836					

- Rectangular plug types delivered without plug (see ordering chart for accessories)

### Further versions on request



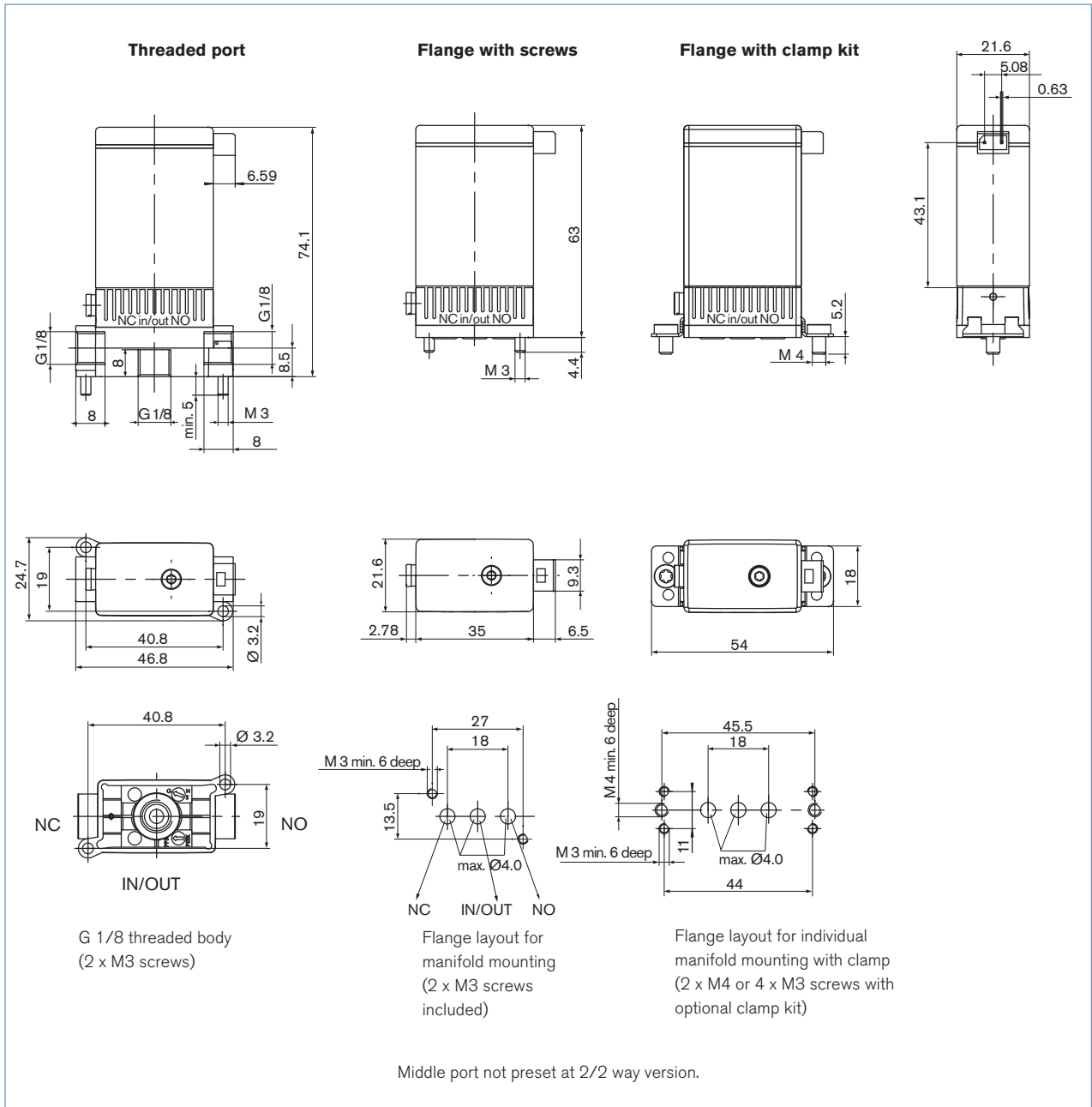
#### Electrical connection

Cable plug connection acc. to Form B (industrial standard)  
Flying leads

## Ordering chart for accessories

Accessories	Item no.	
Rectangular cable plug, Type 2505 5.08 mm matrix	with 3 m cable	133 486
	with 300 mm flying leads	644 068
	with 2 single contacts	644 067
Clamp kit for securing single valves suitable for Bürkert sub-base (1 packaging unit contains 10 clamps and 10 M4x6 screws)	648 231	

Dimensions [mm]



DTS 1000023689 EN Version: G Status: RL (released | freigegeben | validé) printed: 04.06.2009

To find your nearest Bürkert facility, click on the orange box →

[www.burkert.com](http://www.burkert.com)

In case of special application conditions, please consult for advice.

Subject to alterations  
© Christian Bürkert GmbH & Co. KG

0811/3\_EU-en\_00891863