

**High flow rate**  
**For robust industry solutions**  
**Damped operation**  
**Suitable for vacuum**  
**For systems with low or fluctuating pressure**  
**Valve operates without differential pressure**  
**Solenoid interchangeable without tools (Click-on®)**



### Technical features

**Medium:**

Slightly aggressive gases and liquids

**Switching function:**

Normally closed

**Operation:**

Solenoid actuated, with forced lifting

**Mounting position:**

Optional, preferably solenoid vertical on top

**Flow direction:**

Determined

**Port size:**

G1/4, G3/8, G1/2, G3/4, G1, G1 1/4, G1 1/2, G2

1/4 NPT, 3/8 NPT, 1/2 NPT, 3/4 NPT, 1 NPT, 1 1/4 NPT, 1 1/2 NPT, 2 NPT

**Operating pressure:**

See table

**Fluid temperature:**

-10 ... +90°C

**Ambient temperature:**

-10 ... +50°C

**Material:**

Body: Stainless steel (1.4408)

Seat seal: NBR-K

Internal parts: Stainless steel, PVDF

For contaminated fluids insertion of a strainer is recommended.

### Technical data - standard models

Symbol	Port size	Orifice (mm)	Flow kv value *1) (m³/h)	Operating pressure *2) (bar)	Weight (kg)	Model Solenoid V d.c.	Model Solenoid V a.c.
	G1/4	8	1,9	0 ... 10	0,7	8259000.9151.xxxxx	8259000.9154.xxxxx
	1/4 NPT	8	1,9	0 ... 10	0,7	8449000.9151.xxxxx	8449000.9154.xxxxx
	G3/8	10	3	0 ... 10	0,7	8259100.9151.xxxxx	8259100.9154.xxxxx
	3/8 NPT	10	3	0 ... 10	0,7	8449100.9151.xxxxx	8449100.9154.xxxxx
	G1/2	12	3,4	0 ... 10	0,8	8259200.9151.xxxxx	8259200.9154.xxxxx
	1/2 NPT	12	3,4	0 ... 10	0,8	8449200.9151.xxxxx	8449200.9154.xxxxx
	G3/4	20	5,8	0 ... 10	0,9	8259300.9151.xxxxx	8259300.9154.xxxxx
	3/4 NPT	20	5,8	0 ... 10	0,9	8449300.9151.xxxxx	8449300.9154.xxxxx
	G1	25	8	0 ... 10	1,3	8259400.9151.xxxxx	8259400.9154.xxxxx
	1 NPT	25	8	0 ... 10	1,3	8449400.9151.xxxxx	8449400.9154.xxxxx
	G 1 1/4	32	23	0 ... 16	4,3	8259500.9401.xxxxx	8259500.9404.xxxxx
	1 1/4 NPT	32	23	0 ... 16	4,3	8449500.9401.xxxxx	8449500.9404.xxxxx
	G 1 1/2	40	25	0 ... 16	4,1	8259600.9401.xxxxx	8259600.9404.xxxxx
	1 1/2 NPT	40	25	0 ... 16	4,1	8449600.9401.xxxxx	8449600.9404.xxxxx
	G2	50	41	0 ... 16	5,1	8259700.9401.xxxxx	8259700.9404.xxxxx
	2 NPT	50	41	0 ... 16	5,1	8449700.9401.xxxxx	8449700.9404.xxxxx

xxxxx Please insert voltage and frequency codes

G 1/4 ... G 1 resp. 1/4 NPT ... 1 NPT max. 16 bar on request

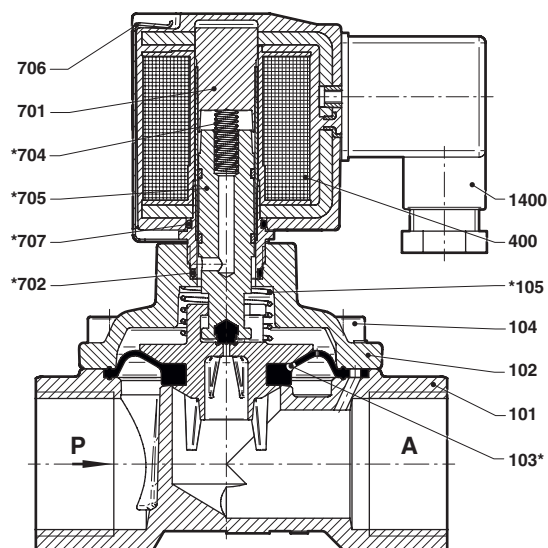
\*1) Cv-value [US] ≈ kv value x 1,2

\*2) For gases and liquid fluids up to 25 mm²/s [cSt]

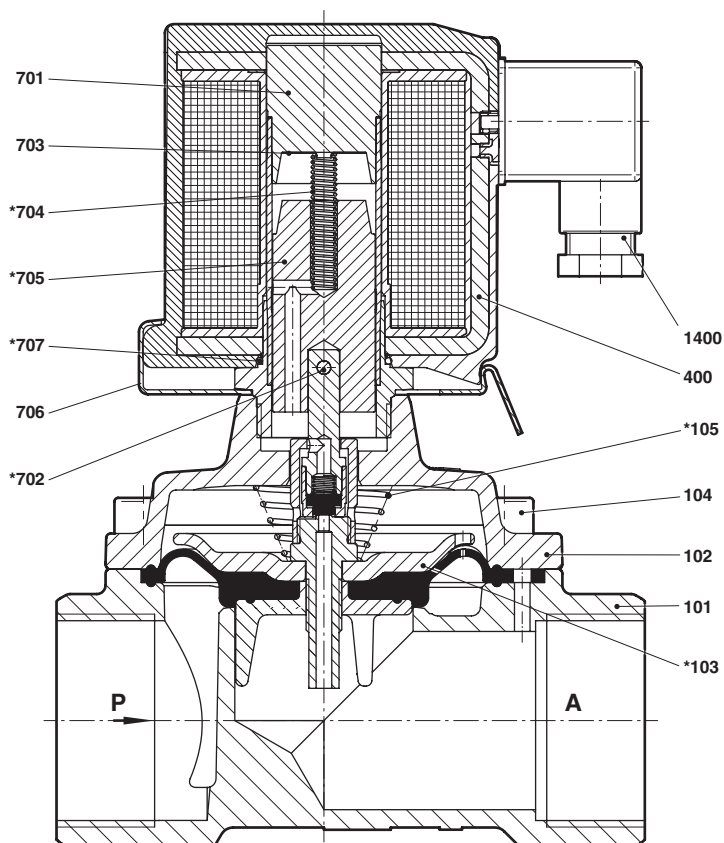


**Section View**
**G1/4 ... 1**  
**1/4 ... 1 NPT**

No.	Description
101	Valve body
102	Valve cover
*103	Diaphragm
104	Allen head screw
*105	Pressure spring
400	Solenoid
701	Core tube
*702	O-ring
*704	Pressure spring
*705	Core
706	Spring clip
*707	O-ring
1400	Socket (included)


**G1 1/4 ... 2**  
**1 1/4 ... 2 NPT**

No.	Description
101	Valve body
102	Valve cover
*103	Diaphragm
104	Allen head screw
*105	Pressure spring
400	Solenoid
701	Core tube
*702	O-ring
*704	Pressure spring
*705	Core
706	Spring clip
*707	O-ring
1400	Socket (included)

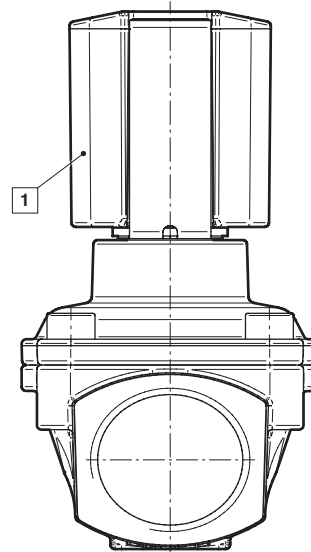
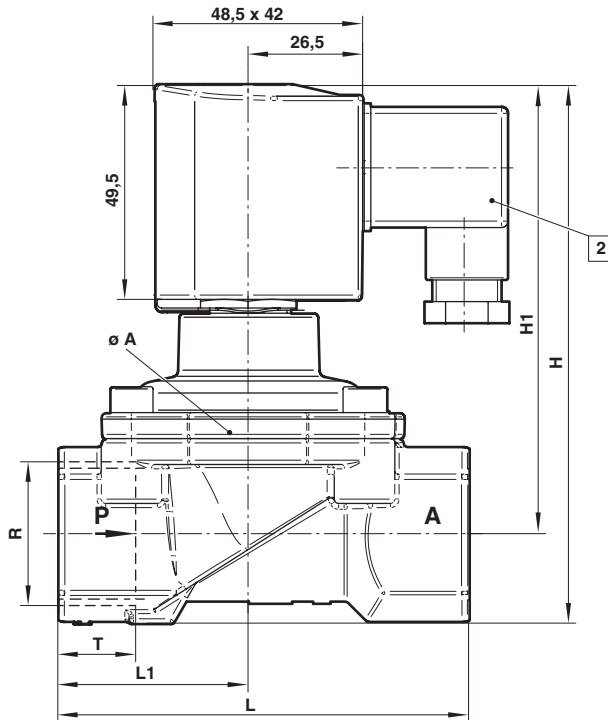


\* These individual parts form a complete wearing unit.  
 When ordering spare parts please state Model No. and Series No.

**Dimensions**

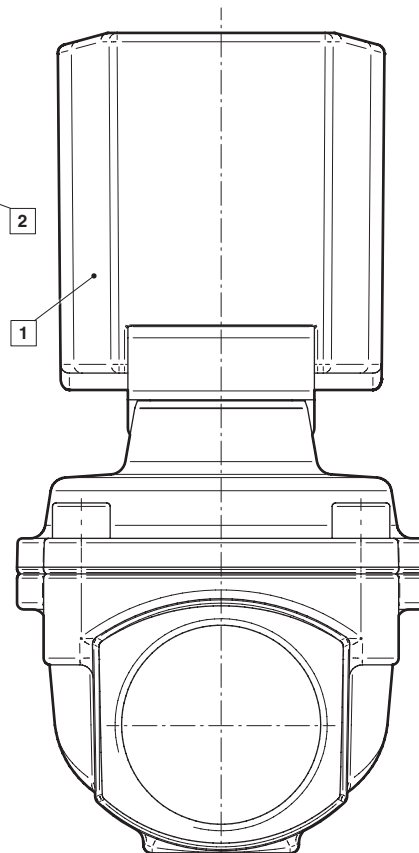
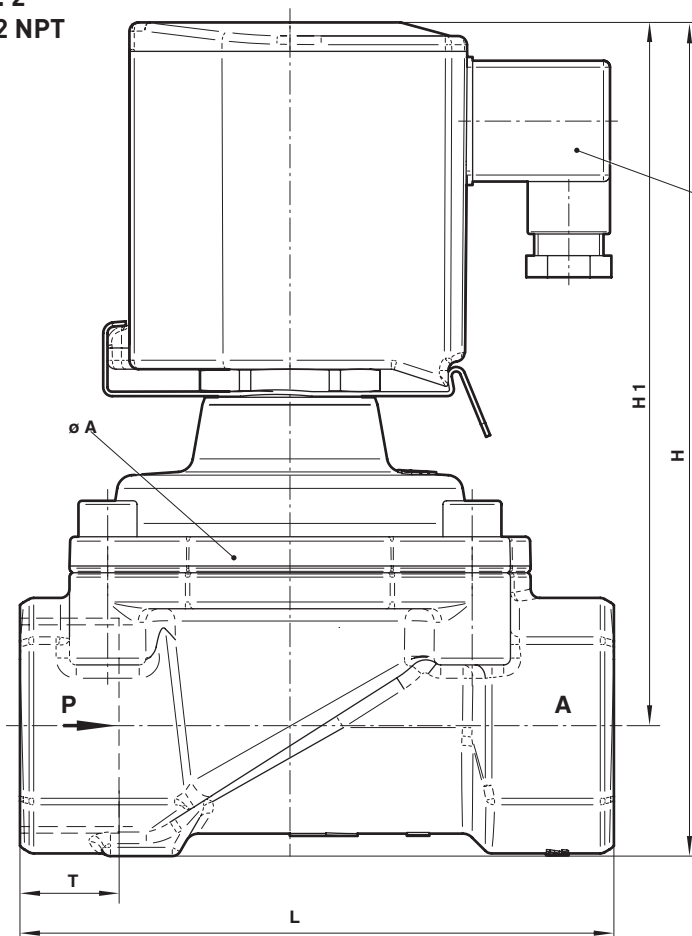
G1/4 ... 1

1/4 ... 1 NPT



G1 1/4 ... 2

1 1/4 ... 2 NPT



- 1 Solenoid rotatable 360°
- 2 Socket turnable 4 x 90°  
(Socket included)

## Dimensions

### G1/4 ... 2 1/4 ... 2 NPT

Port size R	ø A	H	H1	L	L1	T	Model
G1/4	44	104	92,5	60	27,5	12	8259000.915x.xxxxx
1/4 NPT	44	104	92,5	60	27,5	10	8449000.915x.xxxxx
G3/8	44	104	92,5	60	27,5	12	8259100.915x.xxxxx
3/8 NPT	44	104	92,5	60	27,5	10,5	8449100.915x.xxxxx
G1/2	44	108	94,5	67	31	14	8259200.915x.xxxxx
1/2 NPT	44	108	94,5	67	31	13,5	8449200.915x.xxxxx
G3/4	50	115	99	80	36,5	16	8259300.915x.xxxxx
3/4 NPT	50	115	99	80	36,5	14	8449300.915x.xxxxx
G1	62	124	103,5	95	44	18	8259400.915x.xxxxx
1 NPT	62	124	103,5	95	44	17	8449400.915x.xxxxx
G 1 1/4	92	186	157	132	60	20	8259500.940x.xxxxx
1 1/4 NPT	92	186	157	132	60	17	8449500.940x.xxxxx
G1 1/2	92	186	157	132	60	22	8259600.940x.xxxxx
1 1/2 NPT	92	186	157	132	60	17	8449600.940x.xxxxx
G2	109	201,5	167	160	74	24	8259700.940x.xxxxx
2 NPT	109	201,5	167	160	74	17,5	8449700.940x.xxxxx

#### Note to Pressure Equipment Directive (PED):

The valves of this series, including the connection size DN 25 (G 1), are according to Art. 3 § 3 of the Pressure Equipment Directive (PED) 97/23/EG. This means interpretation and production are in accordance to engineers practice wellknown in the member countries.

The CE-sign at the valve refers not to the PED. Thus the declaration of conformity is not longer applicable for this directive.

For valves > DN 25 (G 1) Art. 3 § (1) No.1.4 applies.

The basic requirements of the Enclosure I of the PED must be fulfilled. The CE-sign at the valve includes the PED. A certificate of conformity of this directive will be available on request.

#### Note to Electromagnetic Compatibility Guideline (EEC):

The valves shall be provided with an electrical circuit which ensures the limits of the harmonised standards EN 61000-6-3 and EN 61000-6-1 are observed, and hence the requirements of the Electromagnetic Compatibility Guideline (2004/108/EG) satisfied.