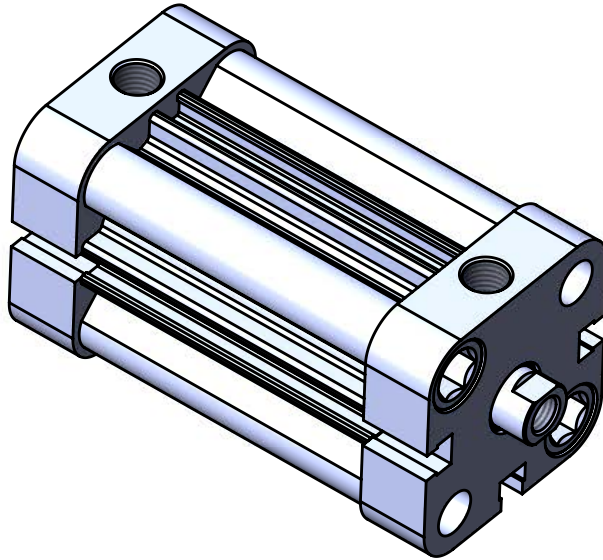
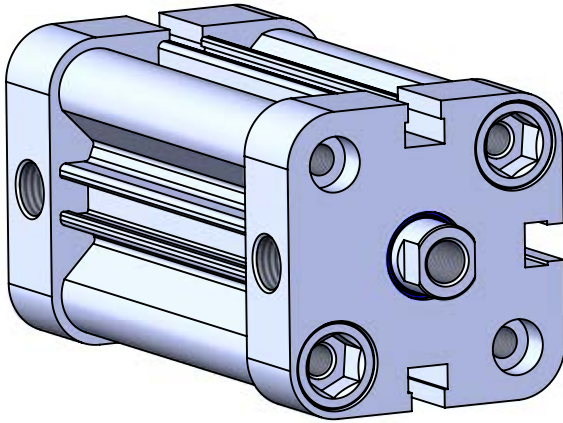
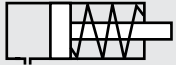


**COMPACT ISO 21287
PNEUMATIC CYLINDERS
KCS-A SERIES Ø32- Ø100**



**KCS-A SERIES**

COMPACT - Ø32 - Ø100 - ISO 21287

COMPACT CYLINDER
WITH MAGNET AND FRONT SPRINGWITH SINGLE ACTING USAGE
PROVIDES MINIMUM AIR
CONSUMPTION AND EQUIPMENT
COSTS**KCS:** COMPACT CYLINDERS WITH
SINGLE ACTING
(SPRINGED FROM FRONT)**KCS-A:** MAGNETIC COMPACT
CYLINDERS WITH SINGLE ACTING
(SPRINGED FROM FRONT)**Example of order:**KCS-A

Product code

032-050

Cylinder Ø Stroke

M1Variants from
Standard System**Variants from standart system:**

R1 : Stainless Steel Piston Rod (SS 304-SS 316)

R4 : Stainless Steel Nut for Piston Rod (SS 304)

R5: Piston Rod as CK45 (Hard Chrome Plated)

M1: Extended male Piston Rod Thread

M3: Special Piston Rod Thread

M4: Extended Piston Rod

K1: Seals for Max. 150°C (Viton)

K4: Piston Rod Seal Viton

Force:

Cylinder Ø mm	Rod Ø mm	Thrust and traction forces (6 Bar)	
		Thrust forces (N)	Traction force (N)
32	12	450	16
40	12	708	23
50	16	1120	30
63	16	1800	35
80	20	2900	60
100	20	4520	100

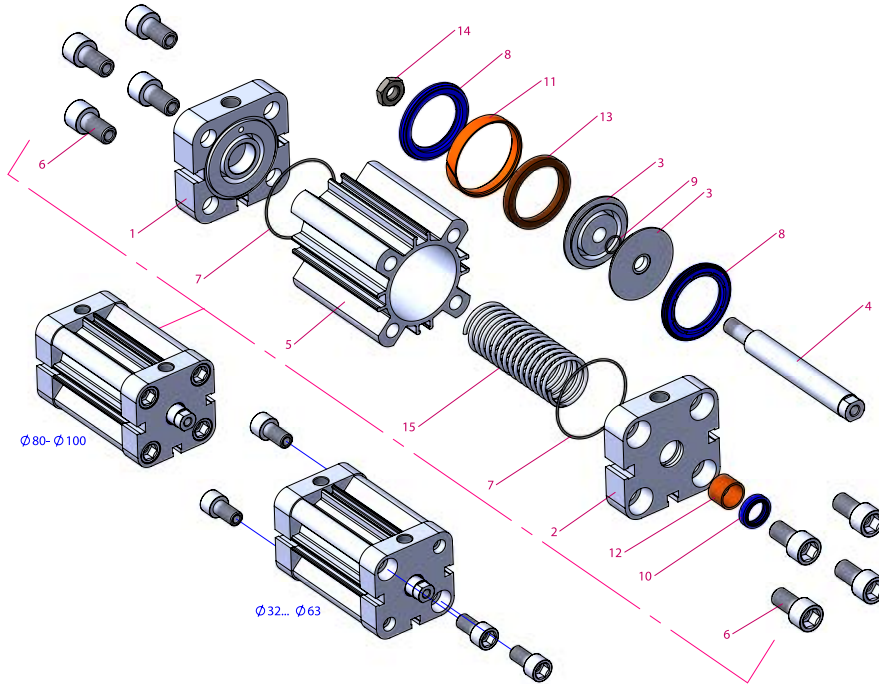
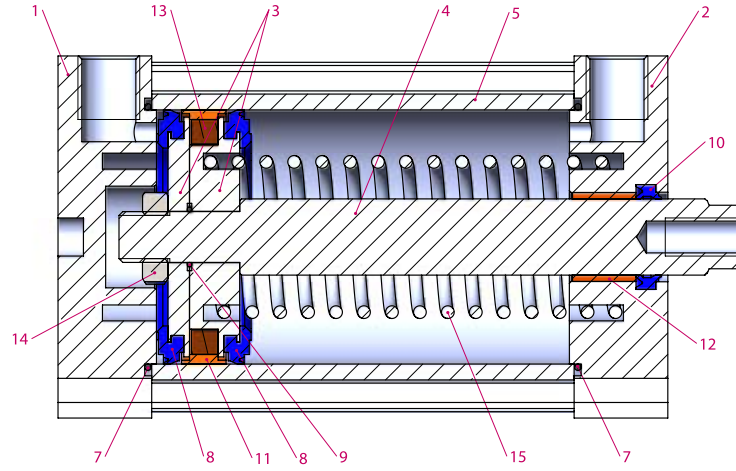
Working Fluid:Filtered and lubricated or filtered and
not lubricated air.**Operating Temperature Range:**

Polyurethane (PU) : (-20°C) - (+80°C)

Viton (FKM) : (-30°C) - (+150°C)

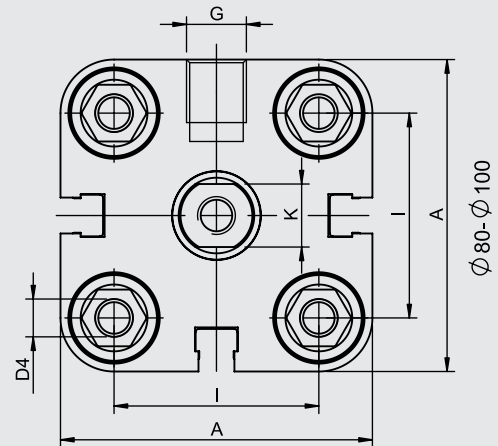
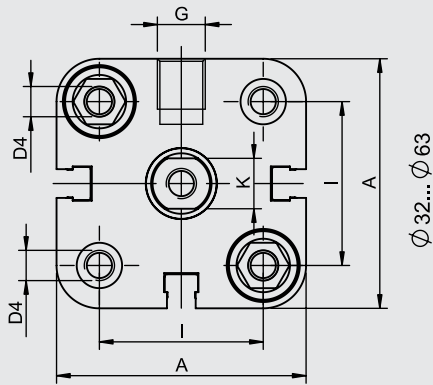
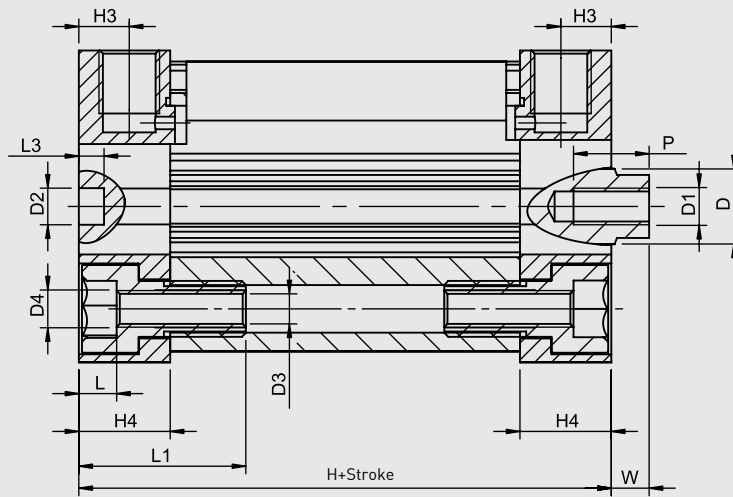
Maximum work pressure:

10 Bar

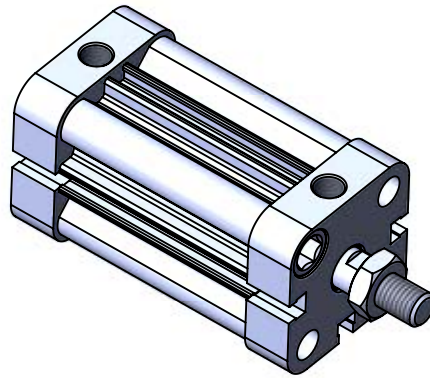


No	Material name	Characteristic	Pc.
1	Rear Head	Aluminium	1
2	Front Head	Aluminium	1
3	Middle Piston	Aluminium	2
4	Piston Rod	X20Cr13 Hard Chrome Plated	1
5	Tube	Al Mg Si 0,5 + Eloxal Plated	1
6	Bolt	SS 303	4-8
7	Head O-ring	NBR	2
8	Piston Seal	PU	2
9	Middle Piston O-ring	NBR	1
10	Rod Seal	PU	1

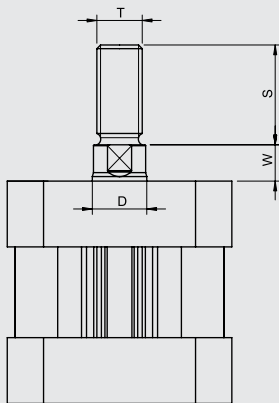
No	Material name	Characteristic	Pc.
11	Guiding Band	Polyacetal	1
12	Guiding Bush	CSB-40	1
13	Magnet		1
14	Nut	Galvanized Steel	1
15	Spring	Galvanized Steel	1



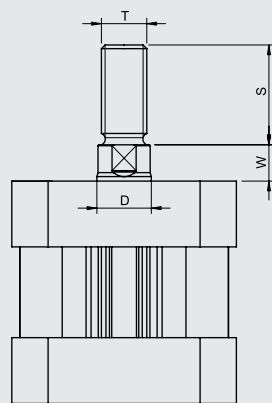
Cylinder Ø mm	A	D Ø	D1 Ø	D2 Ø	D3 Ø	D4 Ø	G	H	H3	H4	I	K	L	L1	L3	P	W
32	49.5	12	M8	6	5.2	M6	1/8"	44.5	7,5	14.5	32.5	10	6	26.5	4	12	7
40	57	12	M8	6	5.2	M6	1/8"	46	7,5	14.75	38	10	6	26.5	4	12	7
50	65.5	16	M10	6	6.8	M8	1/8"	46.5	7,5	14.75	46.5	13	7	30.5	4	16	8
63	79.5	16	M10	8	6.8	M8	1/8"	50	7,5	14.75	56.5	13	7	30.5	4	16	8
80	96	20	M12	8	8.5	M10	1/8"	56.5	8,25	16.5	72	17	8.7	38.5	4	20	10
100	116	20	M12	8	8.5	M10	1/8"	67	10	19.75	89	17	8.7	38.5	4	24	10



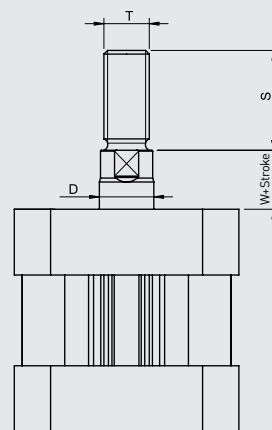
KC-T



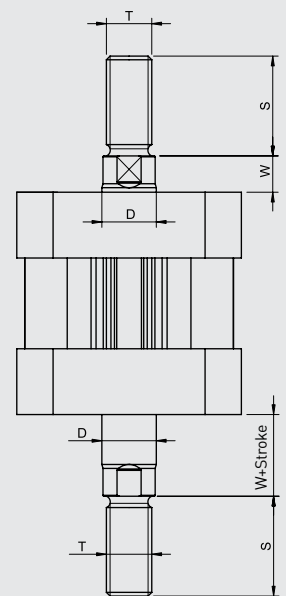
KCS-T



KCE-T



KCD-T



Cylinder type	Cylinder Ø mm	D	S	T	W
KC-KCS KCE-KCD	32	12	19	M10x1.25	7
	40	12	19	M10x1.25	7
	50	16	22	M12x1.25	8
	63	16	22	M12x1.25	8
	80	20	28	M16x1.5	10
	100	20	32	M16x1.5	10