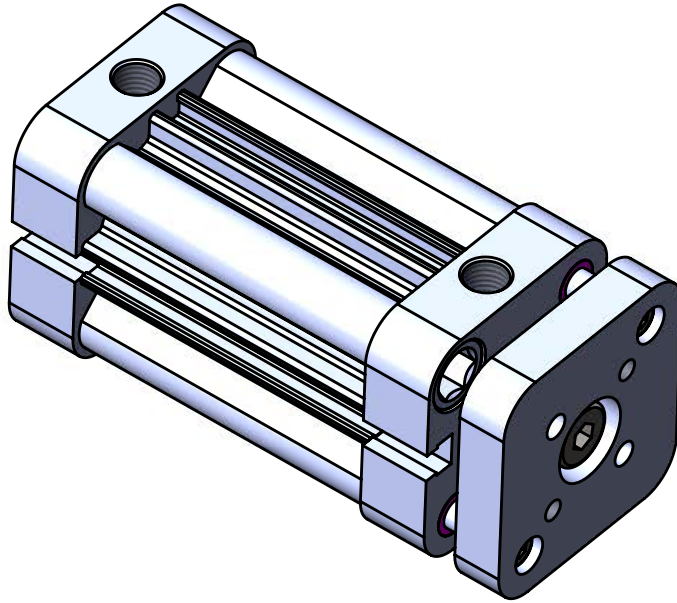
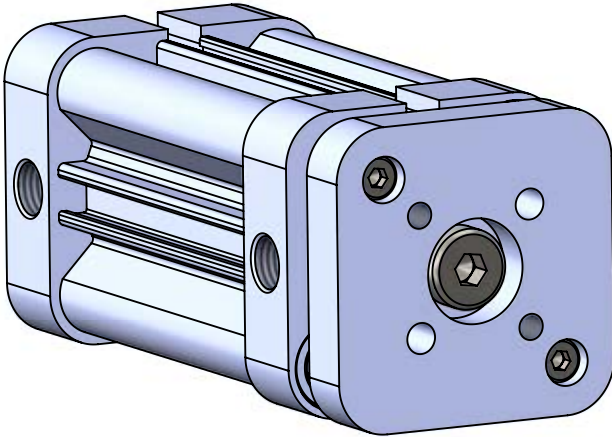


**COMPACT ISO 21287
PNEUMATIC CYLINDERS
KCY-A SERIES Ø32- Ø100**





KCY-A SERIES

COMPACT - Ø32 - Ø100 - ISO 21287

ANTIROTARY COMPACT CYLINDER WITH MAGNET

SUITABLE FOR USE IN CARRIAGE AND TAKE POSITION WITH ANTIROTARY PISTON ROD SPECIALTY



KCY: ANTIROTARY - COMPACT CYLINDERS WITH DOUBLE ACTING



KCY-A: ANTIROTARY - MAGNETIC - COMPACT CYLINDERS WITH DOUBLE ACTING

Example of order:

KCY-A

Product code

032-0100

Cylinder Ø Stroke

R1-K1

Variants from Standard System

Variants from standart system:

R1 : Stainless Steel Piston Rod (SS 304-SS 316)

R5: Piston Rod as CK45 (Hard Chrome Plated)

M4: Extended Piston Rod

K1: Seals for Max. 150°C (Viton)

K4: Piston Rod Seal Viton

Force:

Cylinder Ø mm	Rod Ø mm	Thrust and traction forces (6 Bar)	
		Thrust forces (N)	Traction force (N)
32	12	482	415
40	12	754	687
50	16	1178	1058
63	16	1869	1750
80	20	3014	2829
100	20	4710	4522

Working Fluid:

Filtered and lubricated or filtered and not lubricated air.

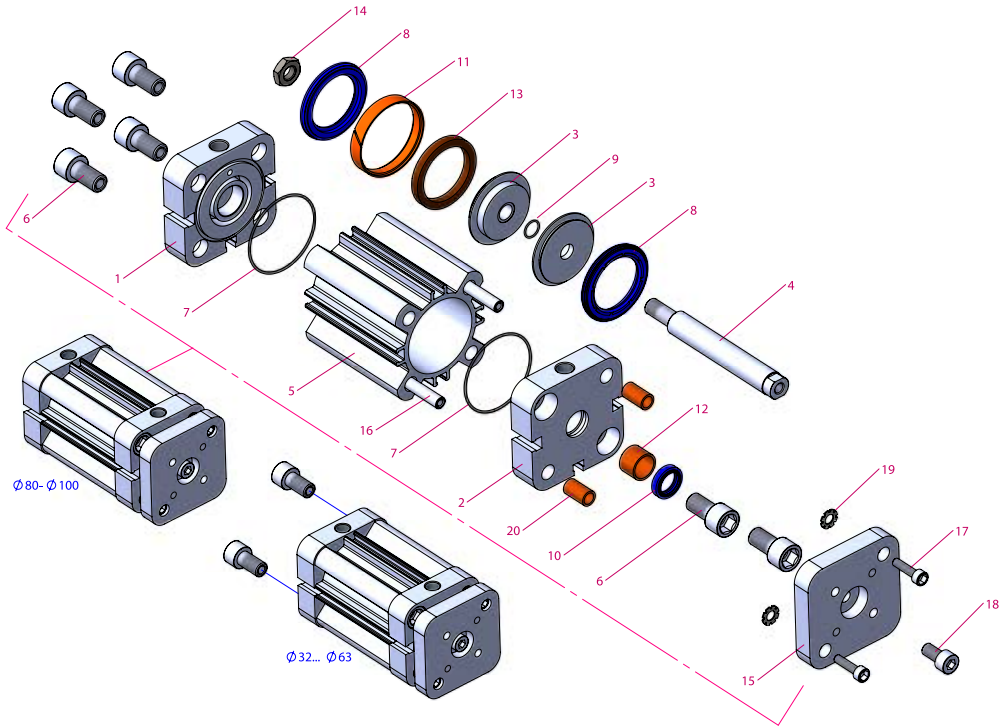
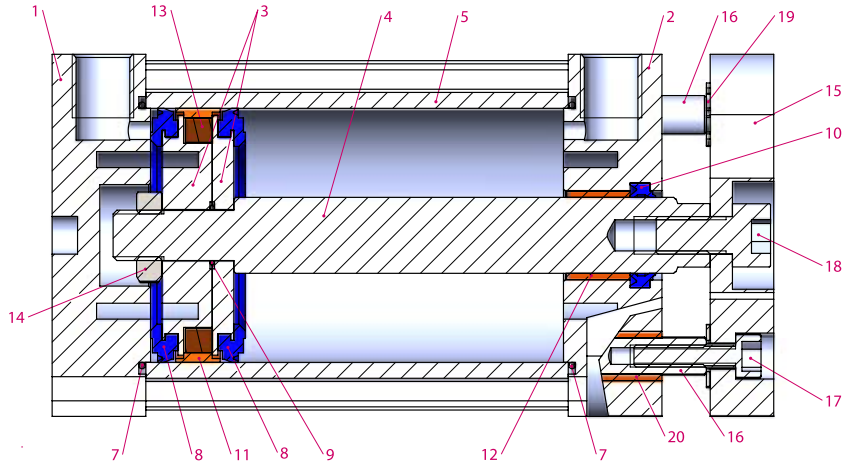
Operating Temperature Range:

Polyurethane (PU) : (-20°C) - (+80°C)

Viton (FKM) : (-30°C) - (+150°C)

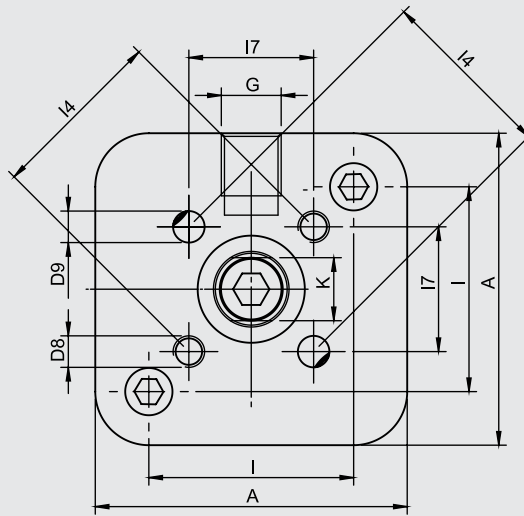
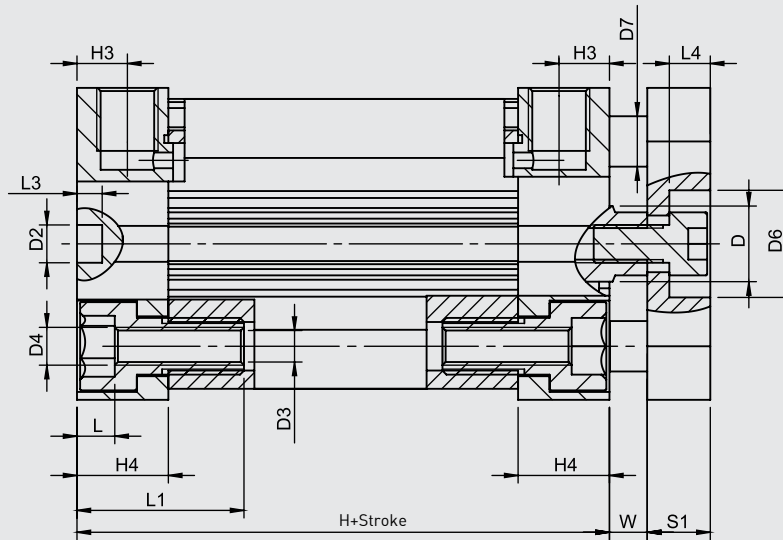
Maximum work pressure:

10 Bar



No	Material name	Characteristic	Pc.
1	Rear Head	Aluminium	1
2	Front Head	Aluminium	1
3	Middle Piston	Aluminium	2
4	Piston Rod	X20Cr13 Hard Chrome Plated	1
5	Tube	Al Mg Si 0,5 + Eloxal Plated	1
6	Bolt	SS 303	4-6
7	Head O-ring	NBR	2
8	Piston Seal	PU	2
9	Middle Piston O-ring	NBR	1
10	Rod Seal	PU	1
11	Guiding Band	Polyacetal	1
12	Guiding Bush	CSB-40	1

No	Material name	Characteristic	Pc.
13	Magnet		1
14	Nut	Galvanized Steel	1
15	Bracket	Aluminium	1
16	Rod	X20Cr13 Hard Chrome Plated	2
17	Bolt	Galvanized Steel	2
18	Bolt	Galvanized Steel	1
19	Tab Washer		2
20	Guiding Bush	CSB-40	2



Cylinder Ø mm	A	D Ø	D2 Ø	D3 Ø	D4 Ø	D6 Ø	D7 Ø	D8 Ø	D9 Ø	G	H	H3	H4	I	I4	I7	K	L	L1	L3	L4	S1	W
32	49.5	12	6	5.2	M6	17	6	M5	5	1/8"	44.5	7,5	14.5	32.5	28	19.8	10	6	26.5	4	6.5	10	7
40	57	12	6	5.2	M6	17	6	M5	5	1/8"	46	7,5	14.75	38	33	23.3	10	6	26.5	4	6.5	10	7
50	65.5	16	6	6.8	M8	22	8	M6	6	1/8"	46.5	7,5	14.75	46.5	42	29.7	13	7	30.5	4	8	12	8
63	79.5	16	8	6.8	M8	22	8	M6	6	1/8"	50	7,5	14.75	56.5	50	35.4	13	7	30.5	4	8	12	8
80	96	20	8	8.5	M10	28	12	M8	8	1/8"	56.5	8,25	16.5	72	65	46	17	8.7	38.5	4	9	14	10
100	116	20	8	8.5	M10	28	12	M10	10	1/8"	67	10	19.75	89	80	56.6	17	8.7	38.5	4	9	14	10