

**SPECIAL CYLINDERS**  
**PMS SERIES MINI**  
**PNEUMATIC CYLINDERS**





## PMS SERIES

Ø16 - Ø25

### MINI CYLINDER

POSSIBLE FOR REPAIR AND CHANGING SEALS, BECAUSE OF SCREWED COVERS



**PMS:** DOUBLE ACTING CYLINDER



**PMS-D:** DOUBLE ACTING CYLINDER WITH DOUBLE ROD

### Example of order:

PMS-D

Product Code

25-0100

Cylinder Ø  
Stroke

R1 K4

Variants from  
Standard System

### VARIANTS FROM STANDARD SYSTEM:

R1: Stainless Steel Piston Rod (SS 304-SS 316)

R4: Stainless Steel Nut for Piston Rod (SS 304)

R5: Piston Rod as CK45 (Hard Chrome Plated)

M1: Extended male Piston Rod Thread

M2: Female Piston Rod Thread

M3: Special Piston Rod Thread

M4: Extended Piston Rod

E2: Stainless Steel Cylinder Covers (SS 304-SS316)

K1: Seals for Max. 150°C (Viton)

K3: Seals NBR

K4: Piston Rod Seal Viton

### Force:

Cylinder Ø mm	Rod Ø mm	Thrust and traction forces (6 Bar)	
		Thrust Force(N)	Traction Force (N)
16	8	105	88
20	8	165	141
25	10	266	219

### Working Fluid :

Filtered and lubricated air

### Operating Temperature Range:

NBR : (-30°C) - (+105°C)

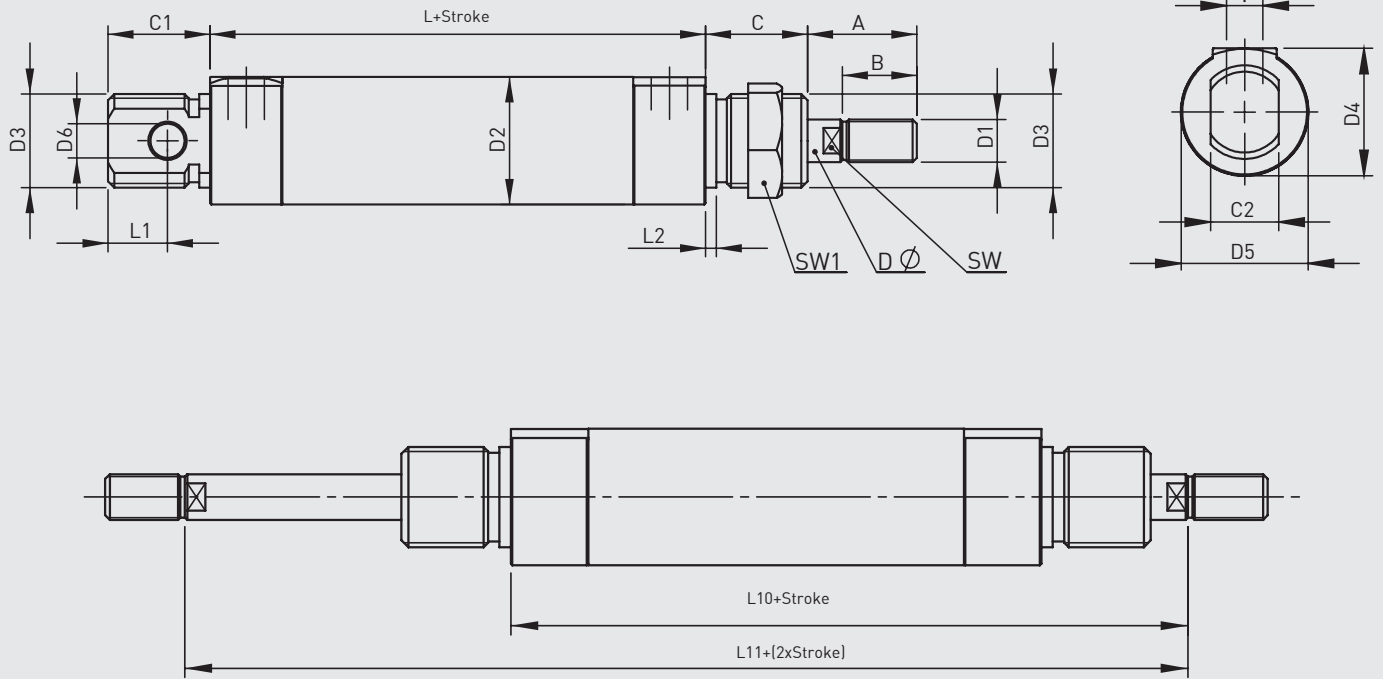
Viton (FKM) : (-30°C) - (+180°C)

### Max. Work Pressure:

10 Bar



**PMS**  
Ø16 - Ø25



Cylinder Ø mm	A	B	C	C1	C2	D Ø	D1	D2 Ø	D3	D4	D5	D6 Ø	L	L1	L2	L10	L11	SW	SW1	*
16	25	15	22	18	12	8	M8	20	M20x1.5	27	27	6	74	7	2	106	138	7	27	G1/8"
20	25	15	22	22	12	8	M8	25	M20x1.5	27	27	6	72	10	2	104	136	7	27	G1/8"
25	24	18	24	24	16	10	M10	30	M22x1.5	30	27	8	67	14	2	97	127	9	27	G1/8"