

Steam Solenoid Valves S2020 Series (G3/8", G1/2", G3/4", G1")

GENERAL FEATURES

- Wide pressure range, flow rate and orifis options.
- Solenoid valves are used with filters.
- Solenoid valves can be mounted in any position without affecting its operation.
- Coil to be used in a vertical position.

ELECTRICAL CHARACTERISTICS

| | |
|--------------------------|---|
| Continuous Duty | : ED %100 |
| Coil Insulation Class | : H (180°C)(IEC 85) |
| Coil Impregnation | : Polyester Fiber Glass |
| Ambient Temperature | : -10°C, +60°C |
| Protection Degree | : IP65 (ISO 60529) On request; IP68 |
| Electric Plug Connection | : DIN 46340 3-Poles Connector (DIN 43650) |
| Connector Specification | : ISO 4400 / EN 175301-803 Form A, Spade Plug (Cable Ø6-8 mm) |
| Electrical Safety | : IEC 335 |
| Standard Voltages | : AC 12V 15VA, 24V 15VA, 48V 15VA, 110V 15VA, 230V 15VA, 230V 24VA DC 12V 18W, 24V 18W, 48V 18W, 110V 18W |

On request other voltages

Voltages Tolerance : AC -15%, +10% DC -5%, +10%

Frequency : 50 Hz (60 Hz...)

On request; Connector with LED, PWM Socket Specify coil voltage with order

MATERIALS IN CONTACT WITH FLUID

| | |
|---------------------------|----------------------------------|
| Body | : Brass |
| Internal Parts | : Stainless Steel, Brass |
| Sealing | : PTFE (On request; EPDM, VITON) |
| Shading Ring | : Copper (EN 12735-1) |
| Seats, Core Tube, Springs | : Stainless Steel, Brass |

OPTIONS

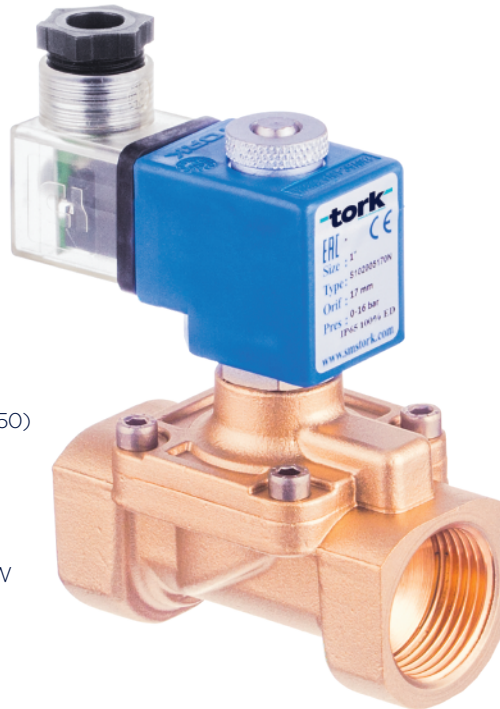
Female connection: BSP; (On request NPT)

- On request CR-Ni plated, PTFE coated done
- On request Atex (exproof) coil.

TECHNICAL FEATURES

Max. Viscosity : 5°E (-37cST veya mm²/s)

Response Time : Opening time : 30 ms
Closing Time : 30 ms



NORMALLY CLOSED

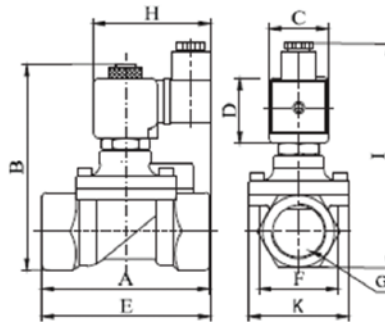
2/2 OPERATED

PILOT OPERATED

ΔP=0,15



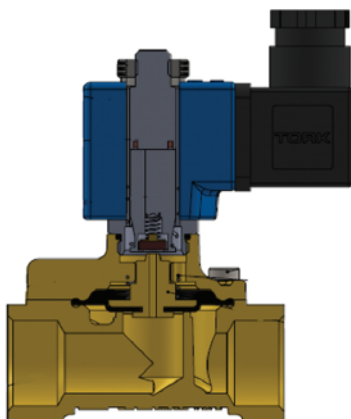
STEAM



Dimensions (mm)

| | G | A | B | C | D | E | F | H | K | I |
|------|----|-------|----|----|------|------|----|----|-----|---|
| 3/8" | 75 | 97 | 32 | 45 | 91,3 | 37,5 | 52 | 76 | 108 | |
| 1/2" | 79 | 100 | 32 | 45 | 92 | 39,8 | 52 | 76 | 110 | |
| 3/4" | 79 | 107,3 | 32 | 45 | 94 | 41,5 | 52 | 76 | 118 | |
| 1" | 85 | 115 | 32 | 45 | 101 | 42,5 | 52 | 76 | 124 | |

| Coils | Nominal Values | Cold/Hot | Inrush | Holding | Current (A) | Surface Temperature (°C) |
|---------------|----------------|----------|--------|---------|-------------|--------------------------|
| C40012VDC18W | 12VDC 18W | COLD | 19,56 | 19,56 | 1,63 | 20 |
| | | HOT | 14,52 | 14,52 | 1,21 | 106 |
| C40024VDC18W | 24VDC 18W | COLD | 20,88 | 20,88 | 0,87 | 25 |
| | | HOT | 14,64 | 14,64 | 0,61 | 116 |
| C40110VDC18W | 110VDC 18W | COLD | 19,96 | 19,96 | 0,18 | 23 |
| | | HOT | 13,56 | 13,56 | 0,123 | 115 |
| C40012VAC15VA | 12VAC 15VA | COLD | 23,81 | 16,43 | 1,3 | 25 |
| | | HOT | - | 15,86 | 1,262 | 79 |
| C40024VAC15VA | 24VAC 15VA | COLD | 25,82 | 15,02 | 0,62 | 22 |
| | | HOT | - | 13,91 | 0,57 | 81 |
| C40110VAC15VA | 110VAC 15VA | COLD | 30,65 | 15,17 | 0,137 | 24 |
| | | HOT | - | 13,96 | 0,126 | 80 |
| C40230VAC15VA | 230VAC 15VA | COLD | 31,4 | 15,64 | 0,068 | 25 |
| | | HOT | - | 14,41 | 0,063 | 80 |
| C40230VAC24VA | 230VAC 24VA | COLD | 45,1 | 23,92 | 0,0154 | 23 |
| | | HOT | - | 21,62 | 0,0154 | 100 |



| Solenoid Valve Symbol | Valve Type/Order No | Connection Size | Orifice Size | Pressure min/max | | Kv | Seal | | Weight | Temperature |
|-----------------------|---------------------|-----------------|--------------|------------------|-----|-------|-------|---------|--------|-------------|
| | | | | Bar | Bar | | l/min | PTFE | | |
| | S2020 | G | mm | Bar | Bar | l/min | PTFE | Opsiyon | kg | °C |
| | S2020.02 | 3/8" | 12,5 | 0,15 | 5 | 48 | ✓ | ✓ | 0,69 | 140 |
| | S2020.03 | 1/2" | 14,5 | 0,15 | 5 | 70 | ✓ | ✓ | 0,72 | 140 |
| | S2020.04 | 3/4" | 17 | 0,15 | 5 | 90 | ✓ | ✓ | 0,8 | 140 |
| | S2020.05 | 1" | 17 | 0,15 | 5 | 90 | ✓ | ✓ | 0,98 | 140 |

STANDARDS

• Standard tube connection G (BSP) (ISO 228-1) and other tube connections (NPT (ANSI 120.3)) are available on request.

• TORK solenoid valves 97/23/EC, are available for pressure equipment directive (PED) and 2006/95/ECC low voltage directive (LVD).

Not: Please look catalogues for more details

Steam Solenoid Valves S2021 Series (G3/8", G1/2", G3/4", G1")

GENERAL FEATURES

- Wide pressure range, flow rate and orifis options.
- Solenoid valves are used with filters.
- Solenoid valves can be mounted in any position without affecting its operation.
- Coil to be used in a vertical position.

ELECTRICAL CHARACTERISTICS

| | |
|--------------------------|---|
| Continuous Duty | : ED %100 |
| Coil Insulation Class | : H (180°C)(IEC 85) |
| Coil Impregnation | : Polyester Fiber Glass |
| Ambient Temperature | : -10°C, +60°C |
| Protection Degree | : IP65 (ISO 60529) On request; IP68 |
| Electric Plug Connection | : DIN 46340 3-Poles Connector (DIN 43650) |
| Connector Specification | : ISO 4400 / EN 175301-803 Form A, Spade Plug (Cable Ø6-8 mm) |
| Electrical Safety | : IEC 335 |
| Standard Voltages | : AC 12V 15VA, 24V 15VA, 48V 15VA, 110V 15VA, 230V 15VA, 230V 24VA DC 12V 18W, 24V 18W, 48V 18W, 110V 18W |

On request other voltages

Voltages Tolerance : AC -15%, +10% DC -5%, +10%

Frequency : 50 Hz (60 Hz...)

On request; Connector with LED, PWM Socket Specify coil voltage with order

MATERIALS IN CONTACT WITH FLUID

| | |
|---------------------------|----------------------------------|
| Body | : Brass |
| Internal Parts | : Stainless Steel, Brass |
| Sealing | : PTFE (On request; EPDM, VITON) |
| Shading Ring | : Copper (EN 12735-1) |
| Seats, Core Tube, Springs | : Stainless Steel, Brass |

OPTIONS

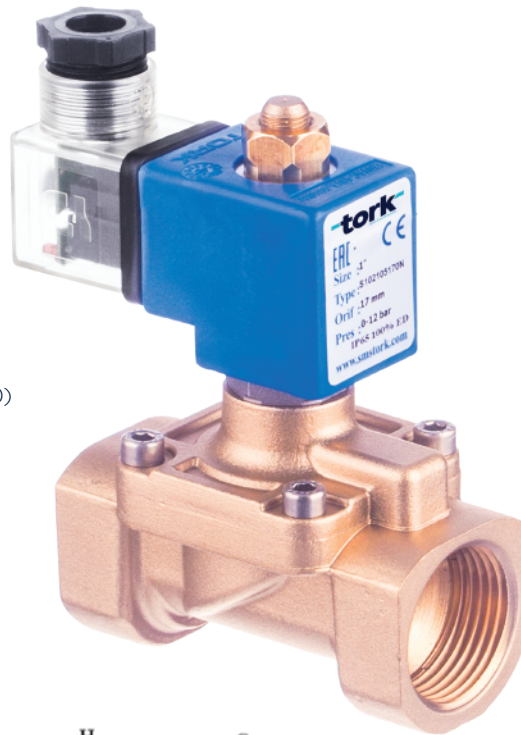
Female connection: BSP; (On request NPT)

- On request CR-Ni plated, PTFE coated done
- On request Atex (exproof) coil.

TECHNICAL FEATURES

Max. Viscosity : 5°E (-37cST veya mm²/s)

Response Time : Opening time : 30 ms
Closing Time : 30 ms



NORMALLY OPEN

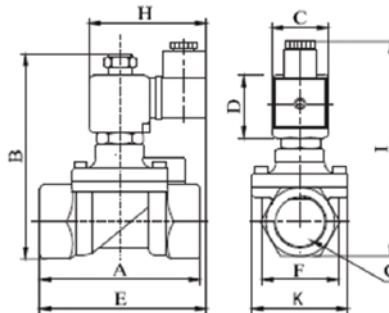
2/2 OPERATED

PILOT OPERATED

ΔP=0,15



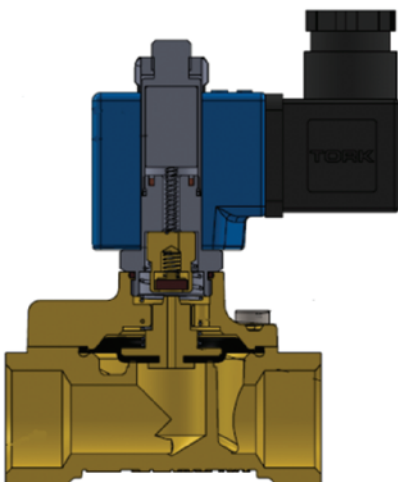
STEAM



Dimensions (mm)

| | G | A | B | C | D | E | F | H | K | I |
|------|----|-------|----|----|------|------|----|----|-----|---|
| 3/8" | 75 | 97 | 32 | 45 | 91.3 | 37.5 | 52 | 76 | 108 | |
| 1/2" | 79 | 100 | 32 | 45 | 92 | 39.5 | 52 | 76 | 110 | |
| 3/4" | 79 | 107.3 | 32 | 45 | 94 | 41.5 | 52 | 76 | 118 | |
| 1" | 87 | 115 | 32 | 45 | 101 | 42.5 | 52 | 76 | 124 | |

| Coils | Nominal Values | Cold/Hot | Inrush | Holding | Current (A) | Surface Temperature (°C) | |
|---------------|----------------|----------|--------|---------|-------------|--------------------------|--|
| | | | | | | | |
| C40012VDC18W | 12VDC 18W | COLD | 19,56 | 19,56 | 1,63 | 20 | |
| | | HOT | 14,52 | 14,52 | 1,21 | 106 | |
| C40024VDC18W | 24VDC 18W | COLD | 20,88 | 20,88 | 0,87 | 25 | |
| | | HOT | 14,64 | 14,64 | 0,61 | 116 | |
| C40110VDC18W | 110VDC 18W | COLD | 19,96 | 19,96 | 0,18 | 23 | |
| | | HOT | 13,56 | 13,56 | 0,123 | 115 | |
| C40012VAC15VA | 12VAC 15VA | COLD | 23,81 | 16,43 | 1,3 | 25 | |
| | | HOT | - | 15,86 | 1,262 | 79 | |
| C40024VAC15VA | 24VAC 15VA | COLD | 25,82 | 15,02 | 0,62 | 22 | |
| | | HOT | - | 13,91 | 0,57 | 81 | |
| C40110VAC15VA | 110VAC 15VA | COLD | 30,65 | 15,17 | 0,137 | 24 | |
| | | HOT | - | 13,96 | 0,126 | 80 | |
| C40230VAC15VA | 230VAC 15VA | COLD | 31,4 | 15,64 | 0,068 | 25 | |
| | | HOT | - | 14,41 | 0,063 | 80 | |
| C40230VAC24VA | 230VAC 24VA | COLD | 45,1 | 23,92 | 0,0154 | 23 | |
| | | HOT | - | 21,62 | 0,0154 | 100 | |



| Solenoid Valve Symbol | Valve Type/Order No | Connection Size | Orifice Size | Pressure min/max | | Kv | Seal | Weight | Temperature | |
|-----------------------|---------------------|-----------------|--------------|------------------|-----|-------|---------|--------|-------------|-----|
| | | | | Bar | Bar | | | | | |
| | S2021 | G | mm | Bar | Bar | l/min | PTFE | kg | °C | |
| | | | | | | | Opsiyon | | | |
| | | | | | | | EPDM | | | |
| | S2021.02 | 3/8" | 12.5 | 0.15 | 5 | 48 | ✓ | ✓ | 0,7 | 140 |
| | S2021.03 | 1/2" | 14.5 | 0.15 | 5 | 70 | ✓ | ✓ | 0,73 | 140 |
| S2021.04 | 3/4" | 17 | 0.15 | 5 | 90 | ✓ | ✓ | 0,81 | 140 | |
| S2021.05 | 1" | 17 | 0.15 | 5 | 90 | ✓ | ✓ | 0,99 | 140 | |

STANDARDS

• Standard tube connection G (BSP) (ISO 228-1) and other tube connections (NPT (ANSI 1.20.3)) are available on request.

• TORK solenoid valves 97/23/EC, are available for pressure equipment directive (PED) and 2006/95/ECC low voltage directive (LVD).

Not: Please look catalogues for more details