

Butterfly Valve, Metal

Construction

The GEMÜ 411 manually operated 2/2 way butterfly valve has an ergonomically designed corrosion-resistant handwheel with integrated locking device.

Features

- Suitable for inert and corrosive* liquid and gaseous media
- Insensitive to viscous media

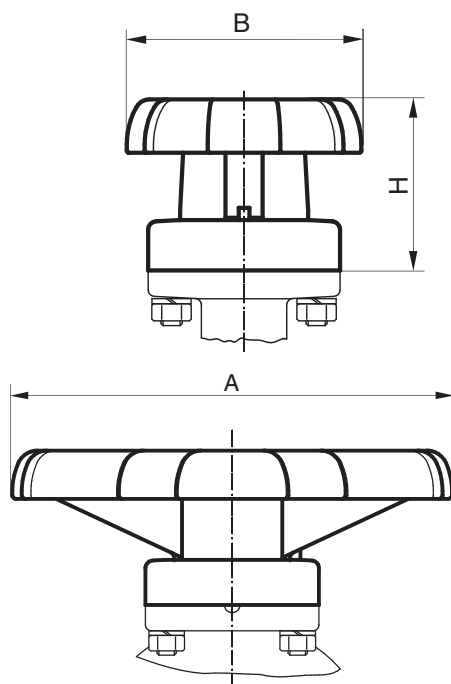
Advantages

- Various seal materials available to suit the working medium
- Low weight
- Optional accessories
 - Stroke limiter
 - GEMÜ 1225 electrical position indicator with 2 potential-free adjustable limit switches (additional module, can be retrofitted)

* see information on working medium on page 2



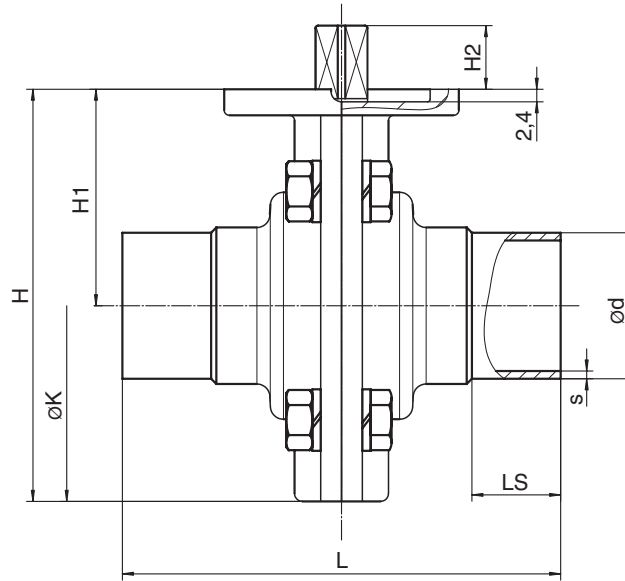
Bonnet dimensions [mm]



DN	A	B	H
15 - 25	118	55	42
32 - 50	160	71	63

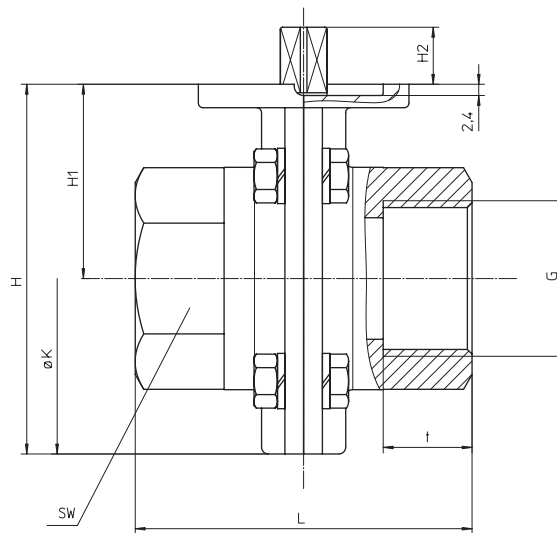


Body dimensions [mm]



Butt weld spigots

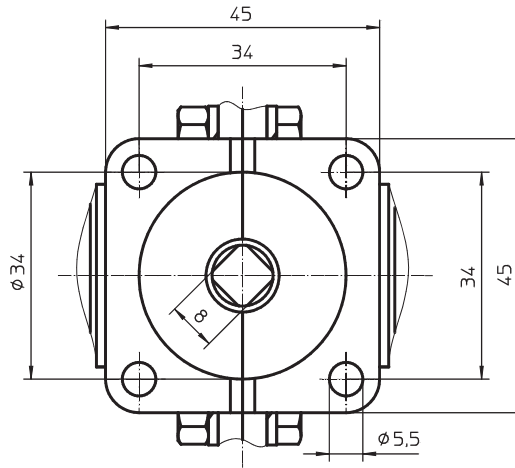
DN	NPS	L	H	H1	H2	øK	LS	DIN series 0; Code 0		DIN 11850 series 1; Code 16				DIN 11850 series 2; Code 17				SMS 3008 Code 37		EN ISO 1127 Code 60		ASME BPE Code 59	
								ød	s	ød	s	ød	s	ød	s	ød	s	ød	s	ød	s	ød	s
15	1/2"	80	79	41.5	13	75	20	18	1.5	18	1	19	1.5	20	2	-	-	21.3	1.6	12.70	1.65		
20	3/4"	84	79	41.5	13	75	22	22	1.5	22	1	23	1.5	24	2	-	-	26.9	1.6	19.05	1.65		
25	1"	84	79	41.5	13	75	22	28	1.5	28	1	29	1.5	30	2	25.0	1.2	33.7	2.0	25.40	1.65		
32	1 1/4"	88	91	48.0	13	85	25	34	1.5	34	1	35	1.5	36	2	33.7	1.2	42.4	2.0	-	-		
40	1 1/2"	96	108	56.0	13	103	25	40	1.5	40	1	41	1.5	42	2	38.0	1.2	48.3	2.0	38.10	1.65		
50	2	110	123	65.0	13	116	30	52	1.5	52	1	53	1.5	54	2	51.0	1.2	60.3	2.0	50.80	1.65		



Threaded socket DIN ISO 228

DN	G	H	H1	H2	t	L	øK	SW	Number of wrench surfaces
15	1/2	79	41.5	13	15.0	72	75	27	6
20	3/4	79	41.5	13	16.0	72	75	32	6
25	1	79	41.5	13	19.0	72	75	41	6
32	1 1/4	91	48.0	13	21.4	72	85	50	8
40	1 1/2	108	56.0	13	21.4	83	103	55	8
50	2	123	65.0	13	25.7	83	116	70	8

Bonnet mounting dimensions [mm]



Overview of valve bodies for GEMÜ 411

DN	Brass (Code 12)	1.4581, Investment casting (Code 38)						
	Threaded socket Code 1	Butt weld spigots						
		DIN series 0; Code 0	DIN 11850 series 1; Code 16	DIN 11850 series 2; Code 17	DIN 11850 series 3; Code 18	SMS 3008 Code 37	EN ISO 1127 Code 60	ASME BPE Code 59
15	X	X	X	X	X	-	X	X
20	X	X	X	X	X	-	X	X
25	X	X	X	X	X	X	X	X
32	X	X	X	X	X	X	X	-
40	X	X	X	X	X	X	X	X
50	X	X	X	X	X	X	X	X

For plastic butterfly valves up to DN 250 mm and metal butterfly valves up to DN 1200 mm as well as accessories please refer to separate data sheets.
Contact GEMÜ.



GEMÜ® VALVES, MEASUREMENT
AND CONTROL SYSTEMS