

TIXI,V UN[ITTO'NZS

WVZ[Y\S_Qh

1-1-XYW^WMVWR STIXIV — » ¼ Z KVNvVQU \XYIKTNVQNU' VQPSQUQ
fSZXT\I[I_QWVVdUQ YIZ^WMIUQ Q SWYYWPQWVVW-Z[WRSQU XTIZ[QSWKdU
XYQKWMWU \$WVZ[dKThg[Zh STIXIVd Z]\VS_QhUQ \XYIKTNVQh
▣VWYUITeVW PISYd[dR XY\OQVWRi' ▣VWYUITeVW W[SYd[dR XY\OQVWRi Q
▣\XYIKTNVQN K MK\^ V'IXYIKTNVQh^i

*IYIS[NYQZ[QSQ

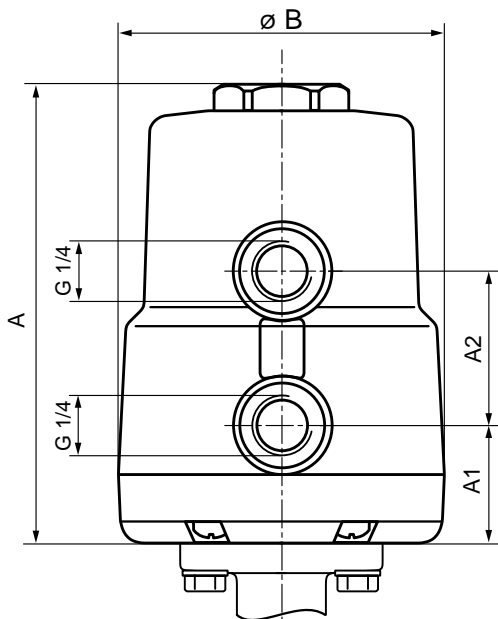
• \$YQUNVNVQN MTh VNR[YITeVd^ ILYNZZQKVd^Æ' OQMSQ^ Q
LIPWWJYIPVd^ YIJW`Q^ ZYNM
• "N`KZ[KQ[NTeVdR S KhPSQU ZYNMIU

\$YNQU\bNZ[KI

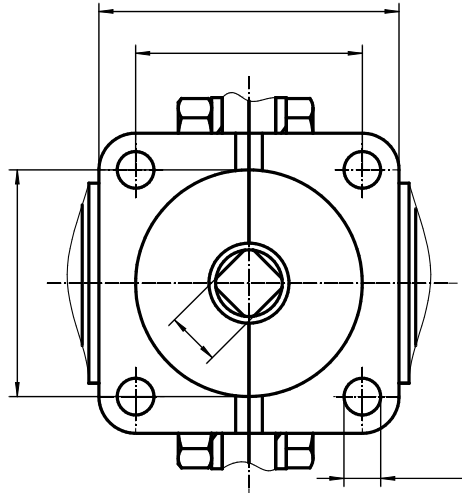
• %IPVWWJYIPVdN \XTW[VNVQh MTh YIPTQ`Vd^ ZYNM
• !ITdR KNZ
• WXWTVQ[NTeVdN XYQVIMTNOVWZ[Q
– 2TNS[YQ`NZSQ R QVMQSI[WY XWTWONVQh — 1¼ XWZYNMZ[KWU
1-^ JNZXW[NV_QITeVd^ SWV[IS[WK Q VIZ[YIQKIŪd^ SWV_NKd^
KdSTg`I[NTNR °XYQ XWUWbQ MWXWTVQ[NTeVWLW UWM\Th»
– #LYIVQ`NVQN ^WMI
– QP\ITeVdR QVMQSI[WY

Æ „ZU" \SIPVQh XW YIJW`NR ZYNMN VI Z[Y" 1

%IPUNYd XYQKMMI



%IPUNY XYQKMMI	ø B	A	A1	A2
\$YQKMMI	1 1/4 - 1 3/4	1	37	0 »
\$YQKMMI	1 1/4 - 1 9/16	3/4 - 3/4	»	1/2 1/4



#JPWY SWYX\ZI STIXIVI — » ¼

WM UI YQITI	N-I[\Ve ° WM , 1»	» ¼¿ , ' [W`VWN TQ[eN ° WM °¿ »						
WM ZWNMQVN	%NPeJWKh U\I WM , »	DIN YhM . WM .	YhM , WM ½	YhM 1, WM ¾	YhM 0, WM ¿	° . ¿ WM 0¾	EN ISO 1127 WM ½	ASME BPE WM ¼ Å
DN								
¾	X	X	X	X	X	-	X	X
1 .	X	X	X	X	X	-	X	X
1¼	X	X	X	X	X	X	X	X
01	X	X	X	X	X	X	X	-
» .	X	X	X	X	X	X	X	X
¼ .	X	X	X	X	X	X	X	X

\$WKWYW[VdN PI[KWYd QP XTIZQ\$WMWYW[VdNUPI[KWYd QP UN[ITTI MW
XYQVIMTNOVWZ[Q Q XYW`QN QPMNTQh 3 ZU" IZZWY[QUNV[VIANR XYWM
#JYIbIR[NZe S VIU"



TÜVRheinland®
CERT
ISO 9001

\$YQ ZWUVNVQh^ QTO VNMWYIPUNVQh^ YNaIgbNN PVI`NVQN QUNN[
KIQIYI[MWS\UNVI VI VNUN_SWU hPdSN`
NAVQ`NZSQN ^IYISINYYQZ[QSQ

WPUWOVQ\$QPIUNVWVQh^ Å11°¿