

Solenoid operator, solenoids group B

	Power consumption		Rated current		Ex-Protection (ATEX-Category)	Protection class *7)	Temperature Ambient/ Fluid (°C)	Electrical connection	Weight (kg)	Dimension No.	Circuit diagram No.	Model
	24 V d.c. (W)	230 V a.c. (VA)	24 V d.c. (mA)	230 V a.c. (mA)								
	6,8	-	284	-		IP00 without, IP65 with connector *5)	-25...+60	DIN EN175301-803 Form A	0,33	3	1	0827
	-	10,6	-	46		IP00 without, IP65 with connector *5)	-25...+60	DIN EN175W301-803 Form A	0,34	4	6	3805
	3,9	-	162	-		IP65	-30...+90 Fluid: 110	Terminals, cable gland Pg 13,5	0,5	9	2	4140
	-	5,3	-	23		IP65	-30...+90 Fluid: 110	Terminals, cable gland Pg 13,5	0,5	9	6	4141
	3,9	-	162	-		IP67	-30...+90 Fluid: 110	3 m cable, encapsulated in EP resin	0,7	9	2	4142
	-	5,3	-	23		IP67	-30...+90 Fluid: 110	3 m cable, encapsulated in EP resin	0,7	9	6	4143
	3,9	-	162	-	I1Z6 I1ZD	Ex emb II T4/T6 Ex tD A21 IP66 T130°C *2), *10)	-40...+80 T4 -40...+55 T6 -40...+80	M20 x 1,5 *6)	0,6	6	4	4260
	-	5,3	-	23	I1Z6 I1ZD	Ex emb II T4/T6 Ex tD A21 IP66 T130°C *2), *10)	-40...+80 T4 -40...+55 T6 -40...+80	M20x1,5 *6)	0,6	6	7	4261
	3,9	-	162	-	I1Z6 I1ZD	Ex dmb IIC T4/T6 Ex emb II T4/T6 Ex tD A21 IP66 T130°C *3)	-40...+80 T4 -40...+55 T6 -40...+80	1/2 NPT *6)	0,8	7	4	4660 *8)
	-	5,3	-	23	I1Z6 I1ZD	Ex dmb IIC T4/T6 Ex emb II T4/T6 Ex tD A21 IP66 T130°C *3)	-40...+80 T4 -40...+55 T6 -40...+80	1/2 NPT *6)	0,8	7	7	4661 *8)
	3,9	-	162	-	I1Z6 I1ZD	Ex dmb IIC T4/T6 Ex emb II T4/T6 Ex tD A21 IP66 T130°C *3)	-40...+80 T4 -40...+55 T6 -40...+80	M20x1,5 *6)	0,8	7	4	4662 *8)
	-	5,3	-	23	I1Z6 I1ZD	Ex dmb IIC T4/T6 Ex emb II T4/T6 Ex tD A21 IP66 T130°C *3)	-40...+80 T4 -40...+55 T6 -40...+80	M20x1,5 *6)	0,8	7	7	4663 *8)
	8,9	-	369	-		XP/DIP, Div. 1 & 2 Cl. I, Gr. A-D Cl. II / III, Gr. E-G T3 (160°C) *4) NEMA 4, 4X, 6, 6P, 7, 9	-20 ... +60	Flying leads 450 mm long	0,5	8	1	3824
	-	9,5	-	41		XP/DIP, Div. 1 & 2 Cl. I, Gr. A-D Cl. II / III, Gr. E-G T3 (160°C) *4) NEMA 4, 4X, 6, 6P, 7, 9	-20 ... +60	Flying leads 450 mm long	0,5	8	5	3825

Standard voltages 24 V d.c., 230 V a.c., other voltages on request.
Design according to VDE 0580, EN 50014/50028. 100% duty cycle.

- *1) EG-Type-Examination-Certificate KEMA 02 ATEX 1347 X
- *2) EG-Type-Examination-Certificate KEMA 98 ATEX 4452 X
- *3) EG-Type-Examination-Certificate PTB 02 ATEX 2085 X
- *4) CSA-LR 57643-6, FM Approval
- *5) Required connector: type 0570275
- *6) Connector cable gland not supplied, see table »Accessories«
- *7) IP-Protection class according to EN60529
- *8) Suitable for outdoor installation
- *10) IEC Ex Certificate of Conformity

Attention:

The protection class for coil series 46xx and 48xx is determined by the choice of cable gland.







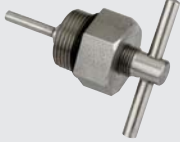
Example: if an ATEX-certified cable gland is used that has Ex d type of protection, the solenoid will have the protection class Ex dmb;
if a cable gland with Ex e type of protection is used, the solenoid will have protection class Ex emb.

Accessories

Cable gland
Protection class Ex e, Ex d
(ATEX),
Nickel plated brass/stainless
steel






Page 10 Thread	Cable Ø	Material	Protection class (ATEX)	Model
M 20x1,5	5,0...8,0 mm	Nickel plated brass	II2GD Ex e	0588819
M 20x1,5	10...14 mm	Nickel plated brass	II2GD Ex d	0588851
1/2-14-NPT	7,5...11,9 mm	Nickel plated brass	II2GD Ex d	0588925
M 20x1,5	9,0...13 mm	Stainless steel 1.4571	II2GD Ex e	0589385
M 20x1,5	7,0...12 mm	Stainless steel 1.4404	II2GD Ex d	0589395
M 20x1,5	10...14 mm	Stainless steel 1.4404	II2GD Ex d	0589387

Connector	Connector M12 x 1 (gerade)	M12 x 1 (90°)	Silencer *1)	Exhaust guard *2)	Add-on manual override Without detent	with detent
						
0570275	0523055 (ohne Kabel) 0523057 (2 m Kabel) 0523052 (5 m Kabel)	0523056 (90°, ohne Kabel) 0523058 (90°, 2 m Kabel) 0523053 (90°, 5 m Kabel)	Page 10 C/S2 1/4 NPT	Page 10 0613422 (G1/4, 1/4 NPT)	Page 7 0600205	Page 7 0601765
			M/S2 G 1/4			

*1) For indoors use

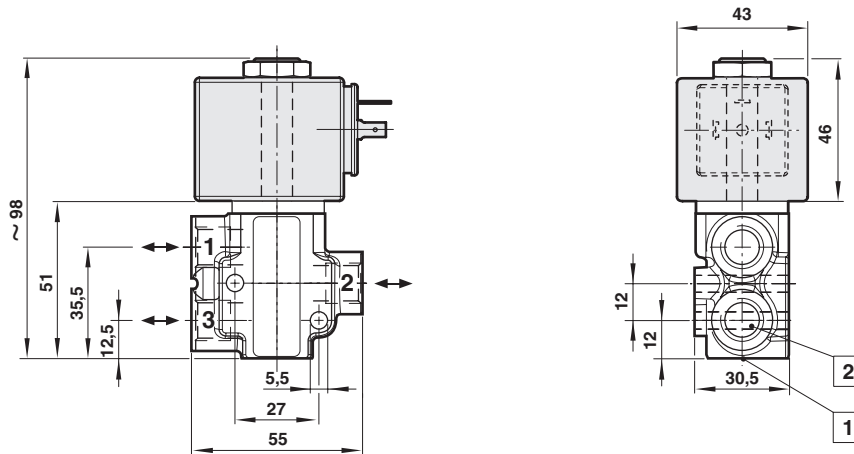
*2) For outdoors use

Throttle control plate	Flange plate	Yoke
		
Page 9 4040239 (for G1/4 only)	Page 9 0612790 (NAMUR single connection plate, for G1/4 only) 0612791 (NAMUR-rip use in combination with 0612790, Atu)	Page 9 0540593

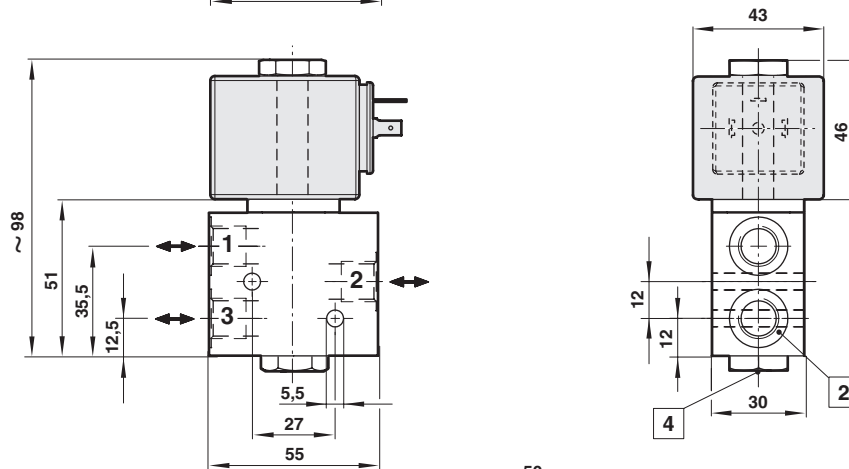
Dimensions

Valves

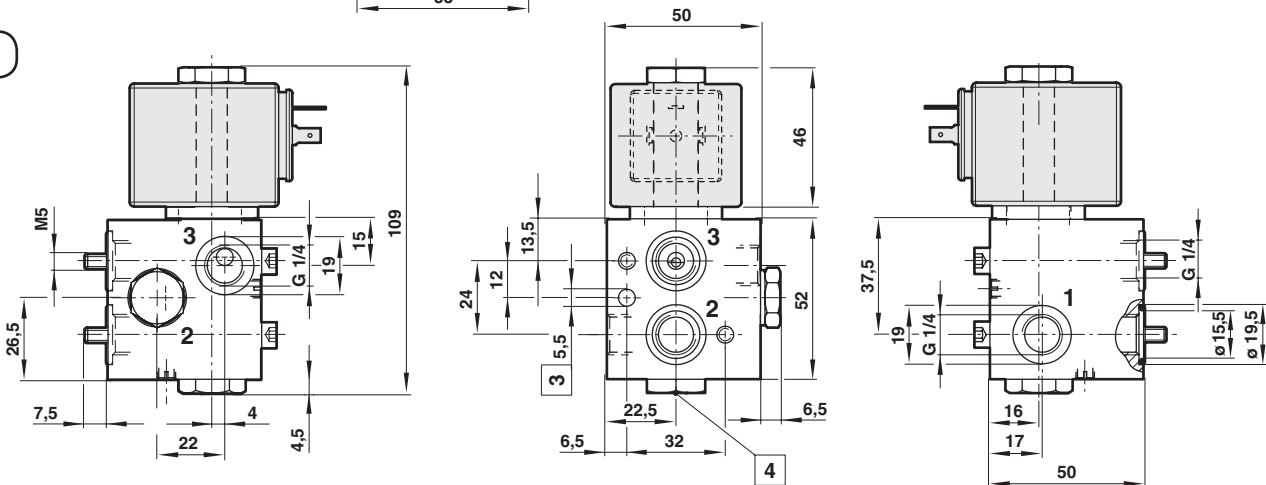
1



2

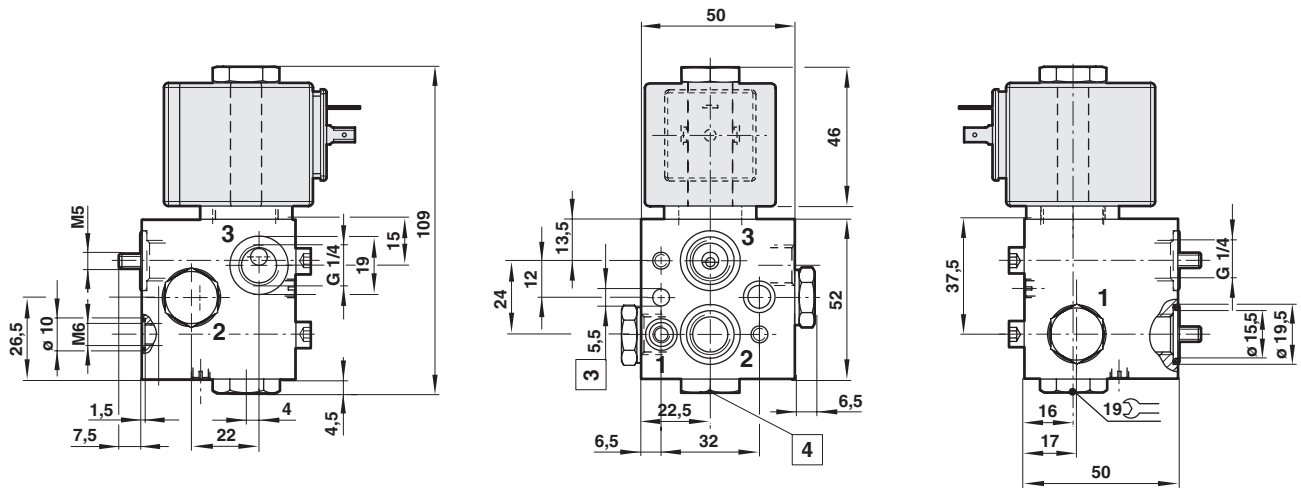


3



- 1 Valve with manual override see page 1 (technical data)
- 2 Port size G 1/4 or 1/4 NPT
- 3 Ø 3 mm deep for coding stud
- 4 Add-on manual override see page 7

4

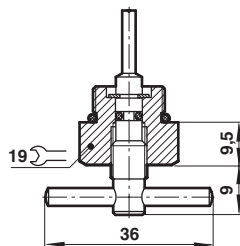
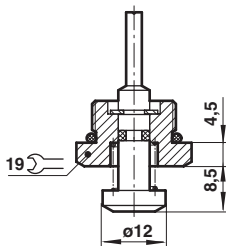


- 2 Port size G 1/4 or 1/4 NPT
- 3 Ø 3 mm deep for coding stud
- 4 Add-on manual override see page see below

Add-on manual override

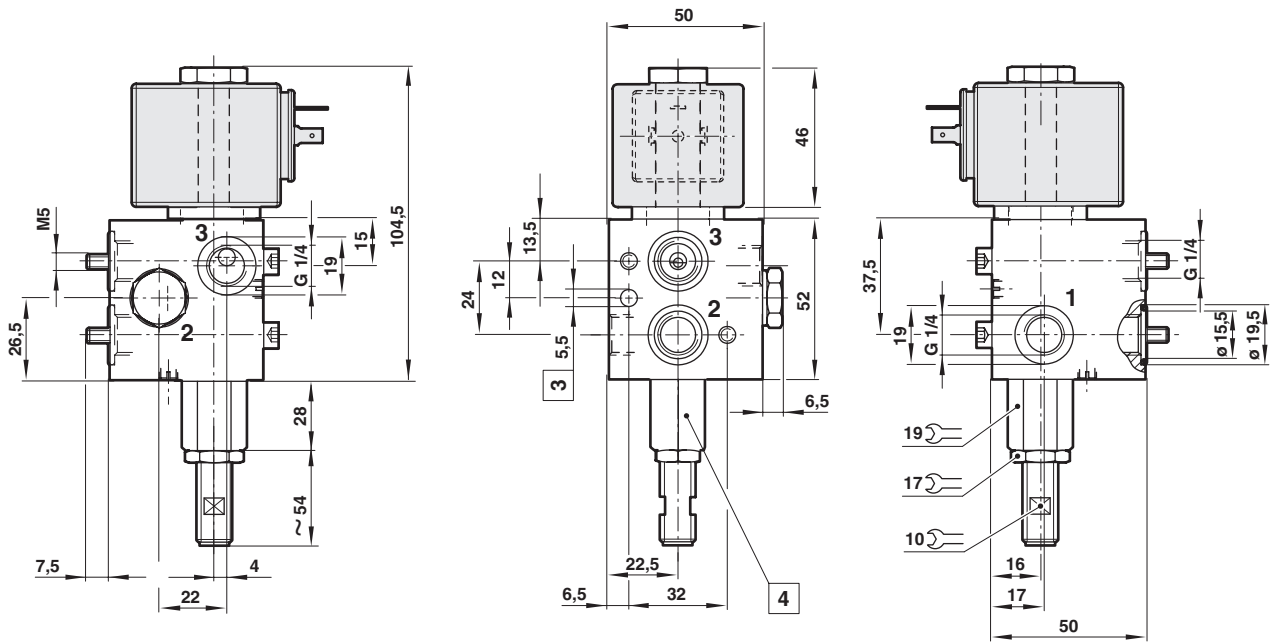
Without detent
Model: 0600205

With detent
Model: 0601765



Please note: add-on manual override for NAMUR valves provided only for commissioning and tests

5



- 3 Ø 3 mm deep for coding stud
- 4 Proximity switch

Proximity switch

Supply voltage (U_b):

7,7 ... 9 V DC

Ripple:

15%

Frequency of operating cycles:

1000 Hz

Protection class:

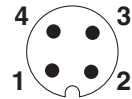
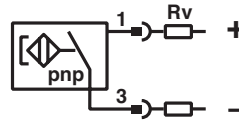
IP68

Pressure-resistant:

500 bar

Ambient temperature:

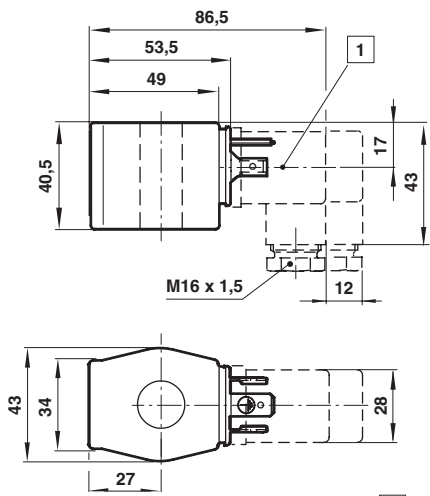
-25 ... +70°C



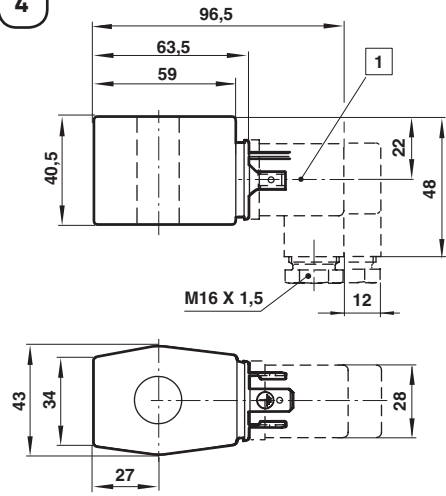
Dimensions

Solenoids

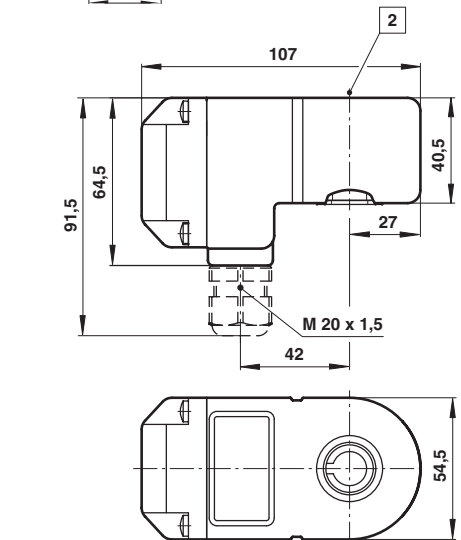
3



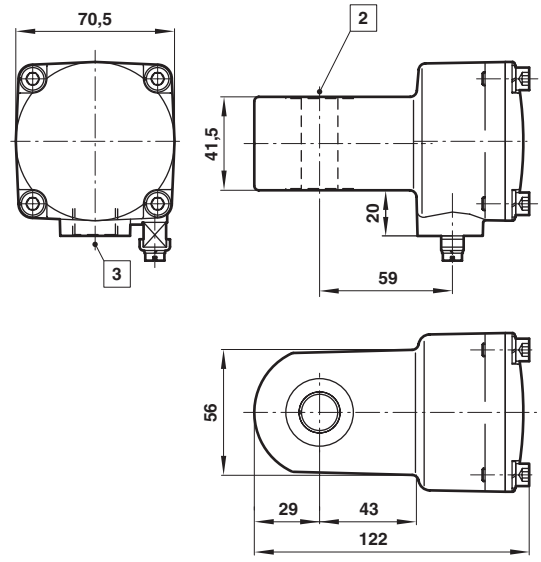
4



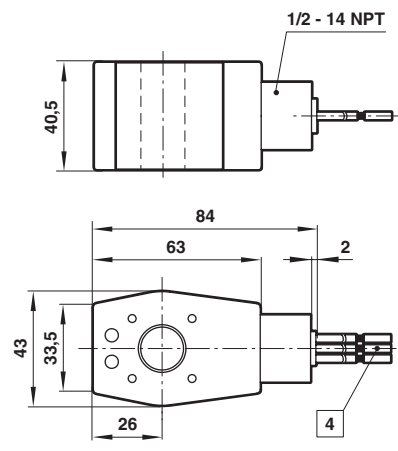
6



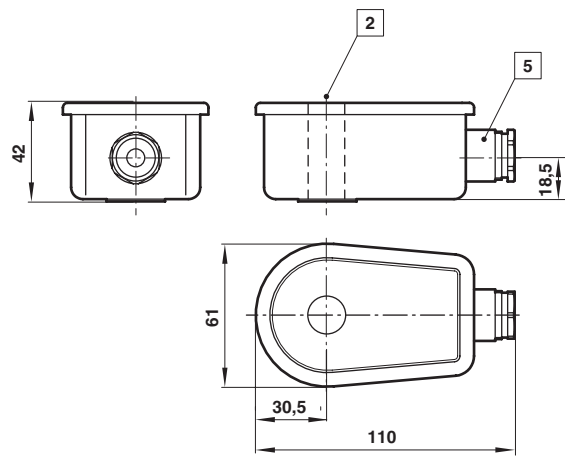
7



8

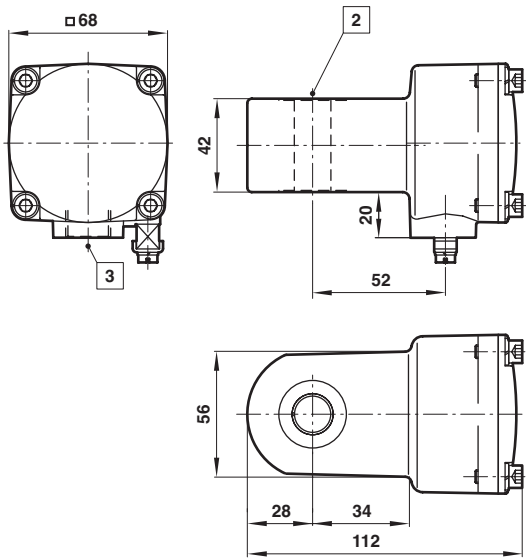


9



- 1 Connector can be indexed by 4x90°
- 2 Ø 16 or 13 (with spacer tube)
- 3 M20 x 1,5 or 1/2 - 14 NPT
- 4 Flying leads AWG 18 (450 mm long)
- 5 With cable gland, Pg 13,5

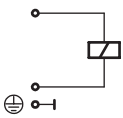
10



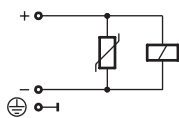
2 \varnothing 16
3 M20 x 1,5 or 1/2 NPT

Circuit diagrams

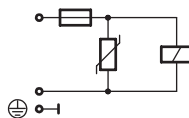
1



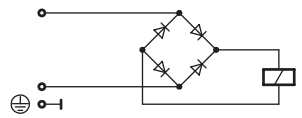
2



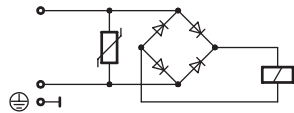
4



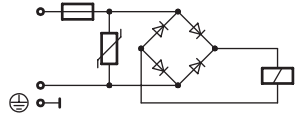
5



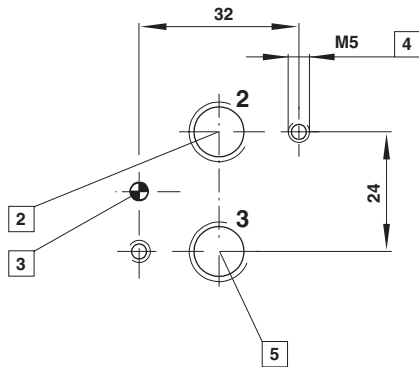
6



7



NAMUR hole pattern (driving side)



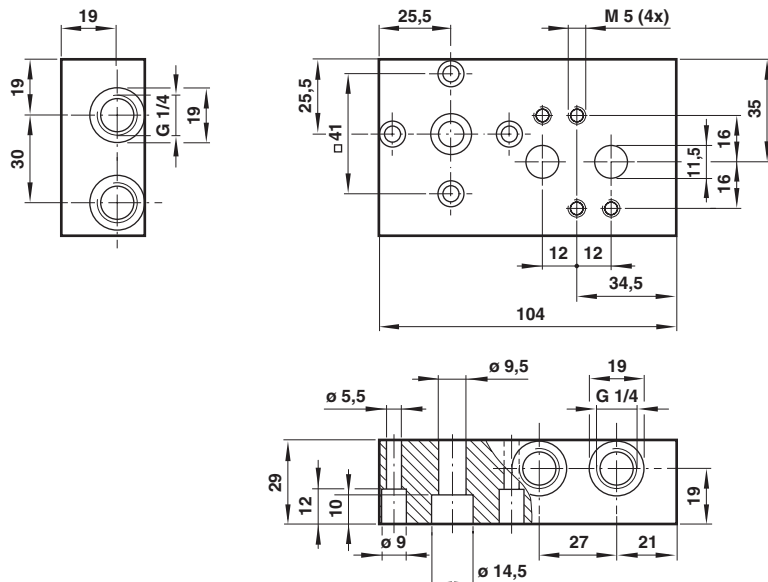
- 2 Port 2 (A)
- 3 Coding stud threaded
- 4 M5 (10 deep)
- 5 Port 3 (R)

NAMUR quick exhaust module for a better kv-value by exhaust see data sheet 5.4.820

NAMUR interlinking plates in redundancy design for »safety exhausting« and »safety ventilating« see data sheet 5.4.830

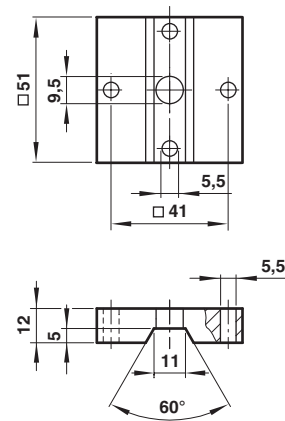
Single connection plate

Model: 0612790



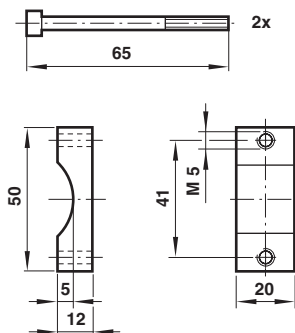
NAMUR slot

Model: 0612791



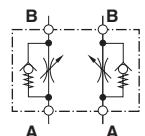
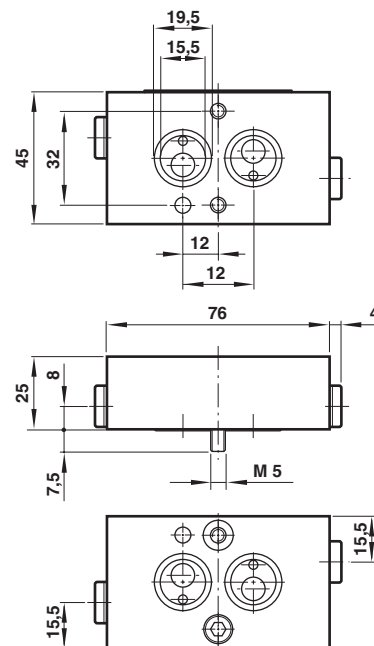
Yoke

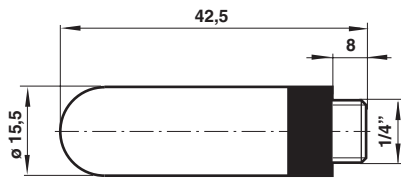
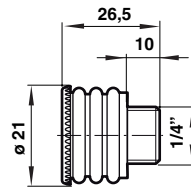
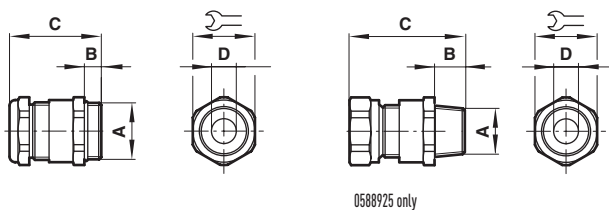
Model: 0540593

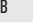


Throttle control plate

Model: 4040239



Silencer
Model: M/S2, C/S2

Exhaust guard
Model: 0613422

Cable gland


A	B	C	∅ D		Model
M20 x 1,5	9	36	5 ... 8	22	0588819
M20 x 1,5	6,5	27,5	9 ... 13	22	0589385
M20 x 1,5	14	39	10 ... 14	24	0588851
1/2-14 NPT	15	58	7,5 ... 11,9	24	0588925
M20 x 1,5	14	39	7 ... 12	24	0589395
M20 x 1,5	10	34	10 ... 14	24	0589387

Warning

These products are intended for use in industrial compressed air and fluid systems only. Do not use these products where pressures and temperatures can exceed those listed under »**Technical features**«.

Before using these products with fluids other than those specified, for non-industrial applications, life-support systems, or other applications not within published specifications, consult NORGREN.

Through misuse, age, or malfunction, components used in fluid power systems can fail in various modes.

The system designer is warned to consider the failure modes of all component parts used in fluid power systems and to provide adequate safeguards to prevent personal injury or damage to equipment in the event of such failure.

System designers must provide a warning to end users in the system instructional manual if protection against a failure mode cannot be adequately provided.

System designers and end users are cautioned to review specific warnings found in instruction sheets packed and shipped with these products.