

**Main application: single operated actuators  
for plants**

**Valves for safety systems up to SIL 4 (IEC 61508)**

**Add-on manual override or inductive limit  
switches**

**Valve switches at power failure into starting  
position (mechanical spring return)**

**Suited for outdoor use under critical  
environment conditions (see solenoid list)**

**These solenoid valves are applicable in  
Ex protection class ATEX (categories II 2 GD  
and II 3 GD) and other international approvals**



Approval depends on magnetic system, see page 3 and 4!

### Technical features

**Medium:**

Filtered, non-lubricated and dried compressed air, instrument air, nitrogen and other non-flammable neutral, dry fluids

**Operation:**

Indirect solenoid operated poppet valves with external pilot port

**Mounting position:**

Any, but preferably with solenoid vertical

**Orifice:**

8 mm

**Port size:**

G 1/2, 1/2 NPT or flanged with NAMUR Interface

**Operating pressure:**

2 ... 8 bar

0 to 8 bar with external air supply, control pressure 2,0 ... 8 bar

**Flow:**

See technical data on page 2

**Flow direction:**

Fixed

**Fluid/Ambient temperature:**

-40 ... +60°C (special perbunan)

-25 ... +60°C (SIL version)

Depending on solenoid system

Air supply must be dry enough

to avoid ice formation at temperatures below +2°C.

**Materials:**

Housing: stainless steel 1.4404

(316L), brass 2.0401 (Ms 58),

Aluminium anodized 3.0615

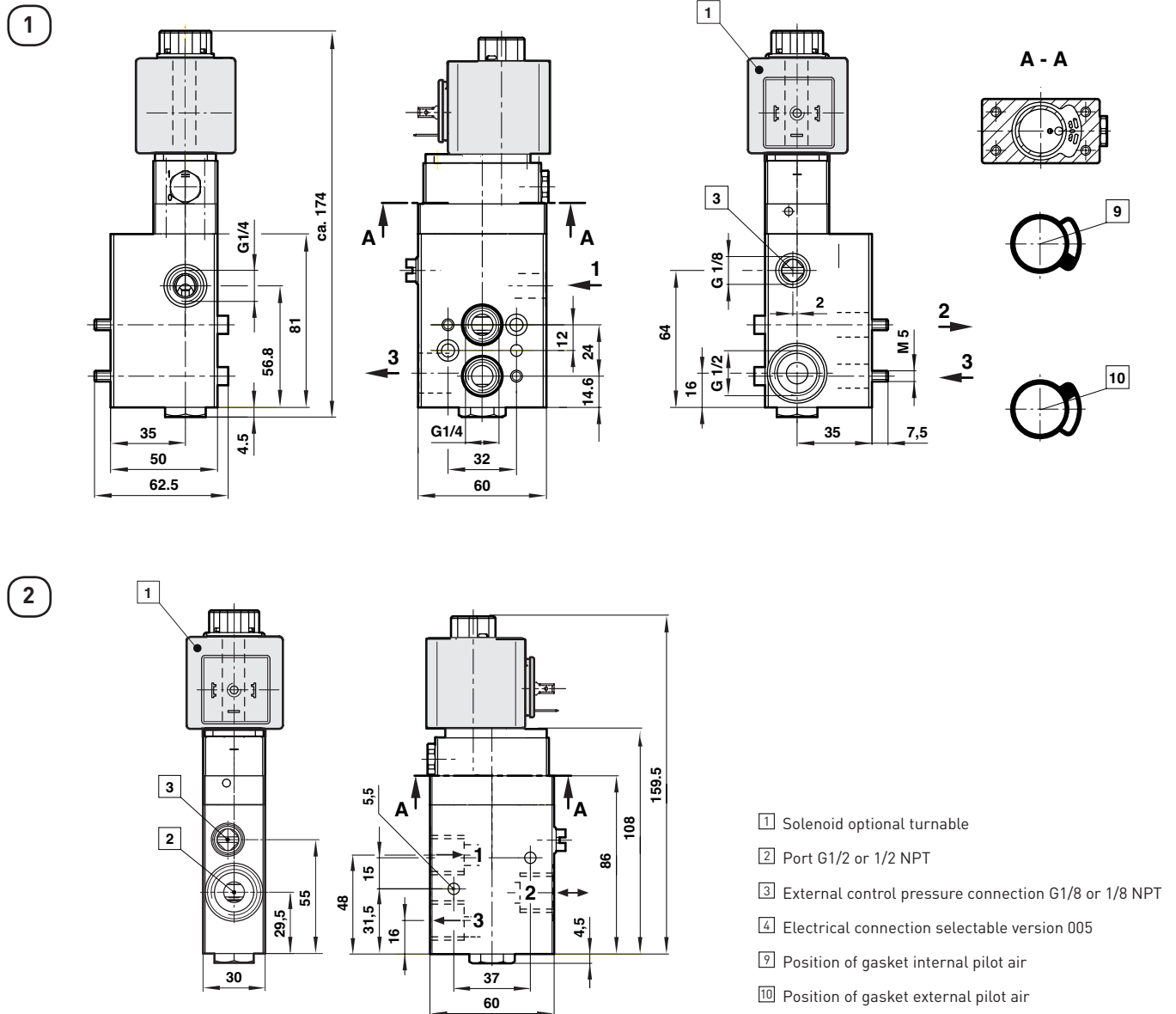
Seal: SNBR (special perbunan)

Inner parts: stainless steel

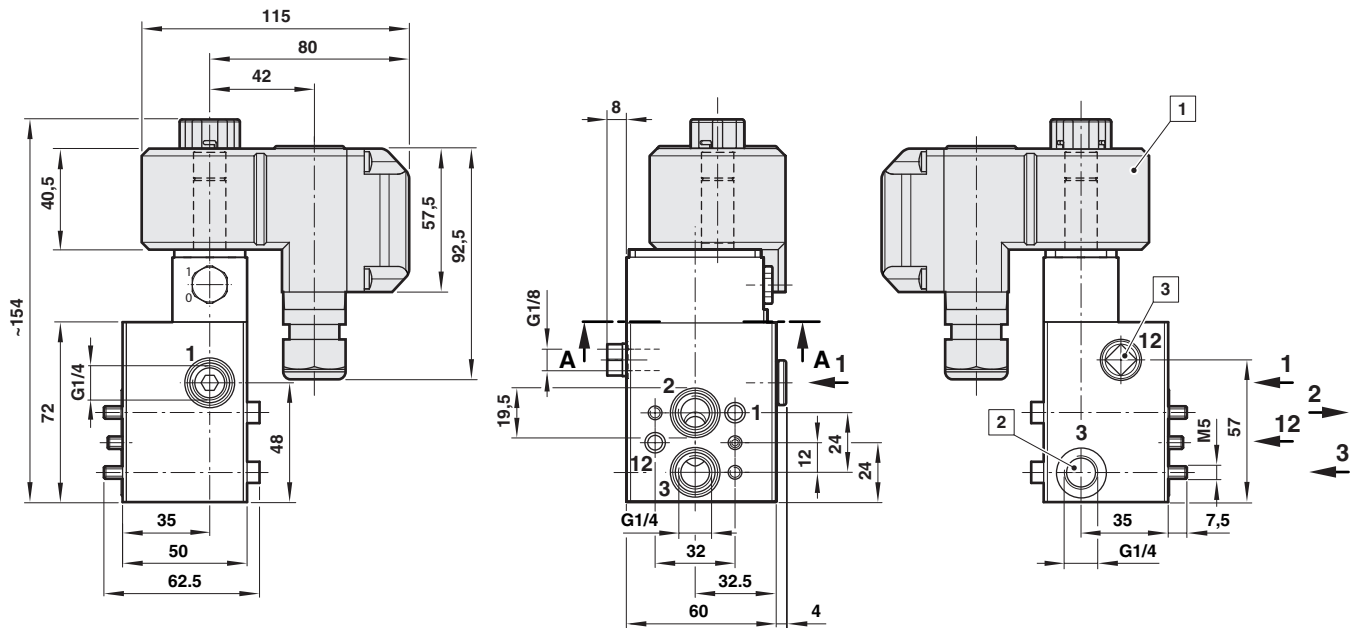
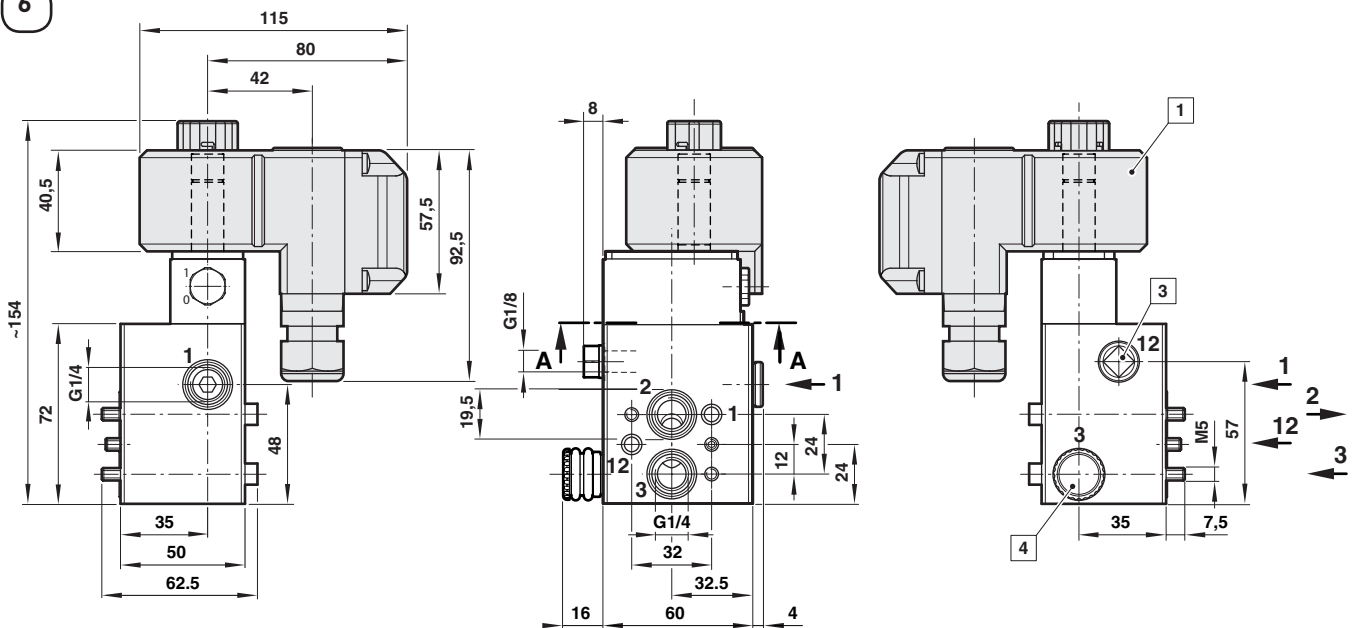
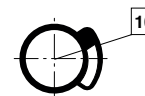
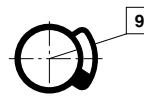
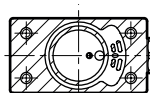






**Dimensions**
**Valves**




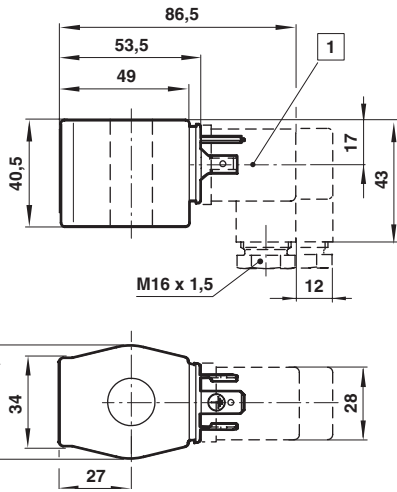
**5**

**6**

**A - A**


- 1 Solenoid optional turnable
- 2 Port G1/4 or 1/4 NPT
- 3 External control pressure connection G1/8 or 1/8 NPT
- 4 Exhaust guard G 1/4, or 1/4 NPT
- 9 Position of gasket internal pilot air
- 10 Position of gasket external pilot air

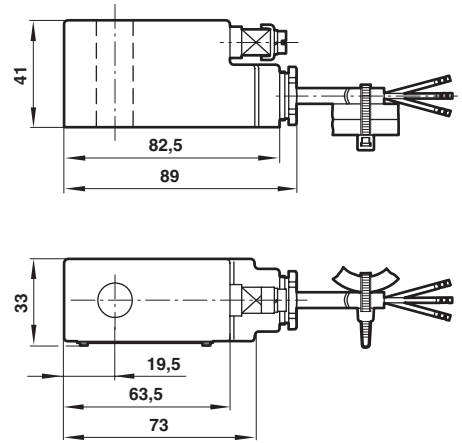
**Dimensions**

**Solenoid operators**

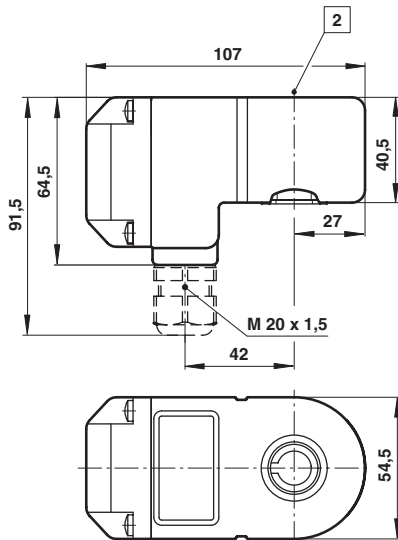
3



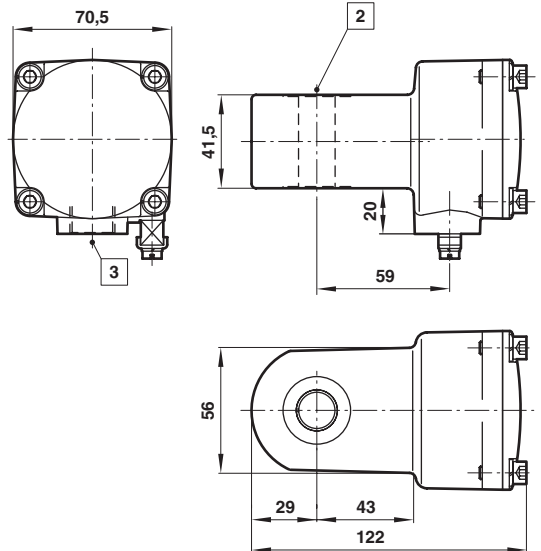
5



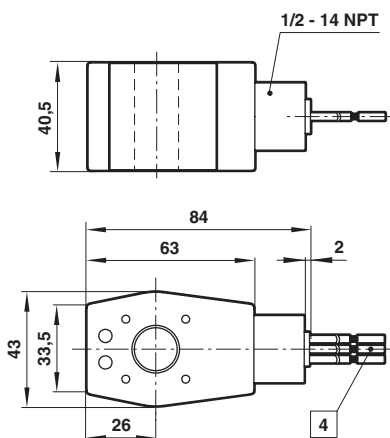
6



7



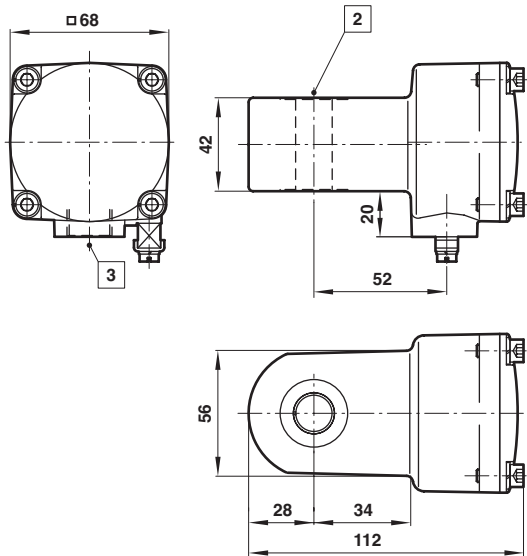
8



- 1 Connector can be indexed by 4x90°
- 2 Ø 16 or 13 (with spacer tube)
- 3 M20 x 1,5 or 1/2 - 14 NPT
- 4 Flying leads AWG 18 (450 mm long)



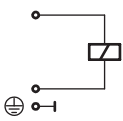
10



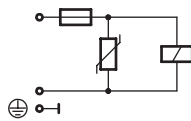
2 Ø 16 or 13 (with spacer tube)

**Circuit diagrams**

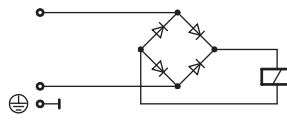
1



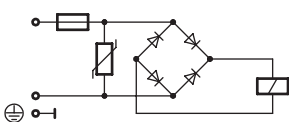
4



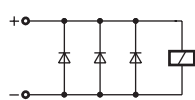
5



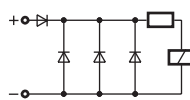
7



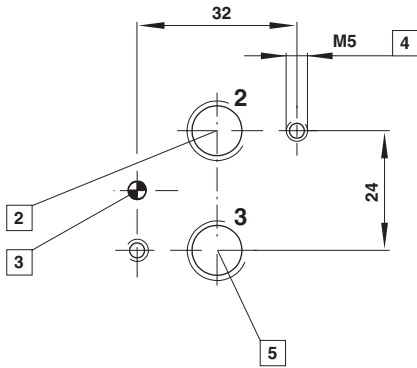
10



11



**NAMUR hole pattern (driving side)  
Port G1/4**



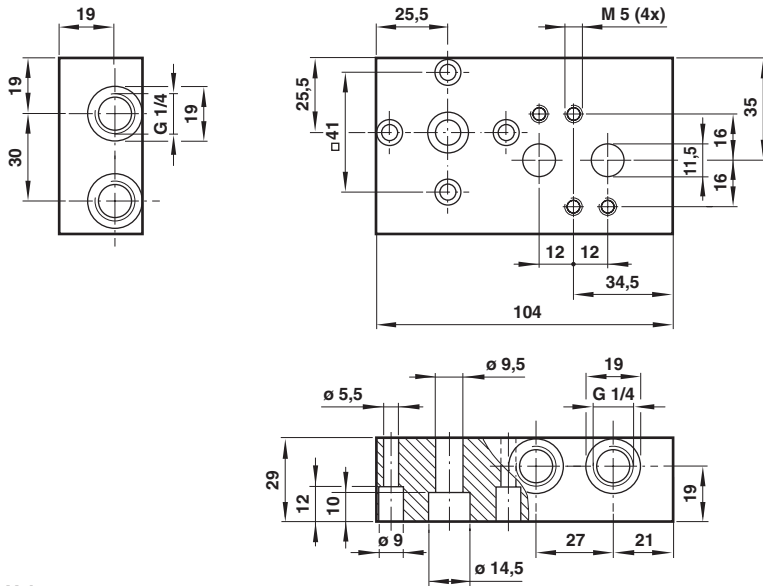
- 2 Port 2 (A)
- 3 Coding stud threaded
- 4 M5 (10 deep)
- 5 Port 3 (R)

NAMUR quick exhaust module for a better kv-value by exhaust see data sheet 5.4.820

NAMUR interlinking plates in redundancy design for »safety exhausting« and »safety ventilating« see data sheet 5.4.830

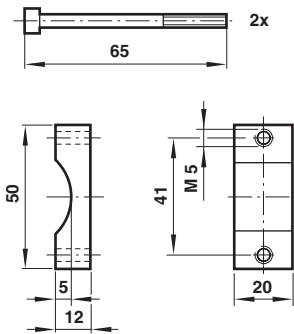
**Single connection plate**

Type: 0612790



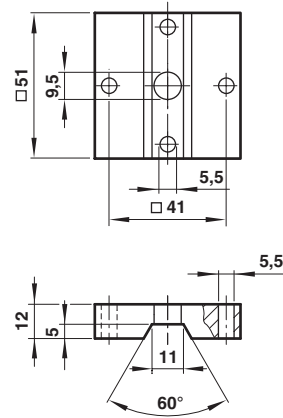
Yoke

Model: 0540593



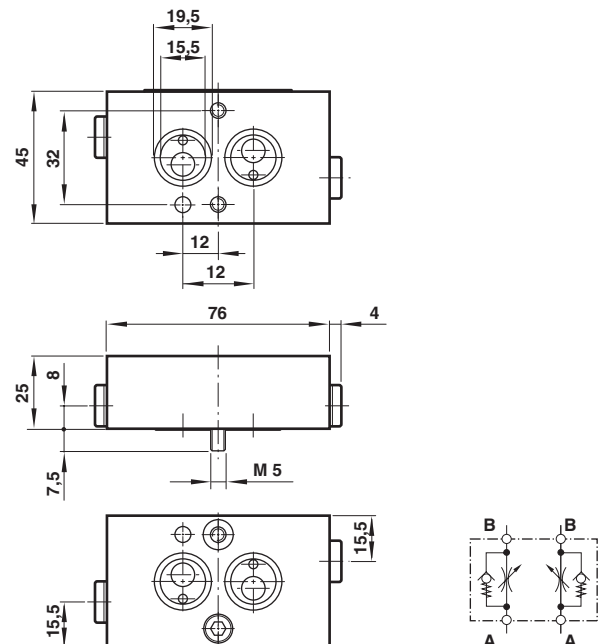
**NAMUR slot**

Type: 0612791



**Throttle control plate**

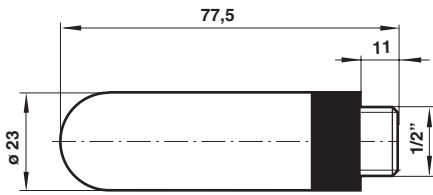
Model: 4040239





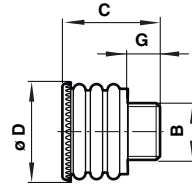
**Silencer**

Model: M/S4, C/S4



**Exhaust guard**

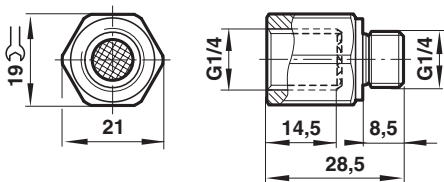
Model: 0613422, 0613423



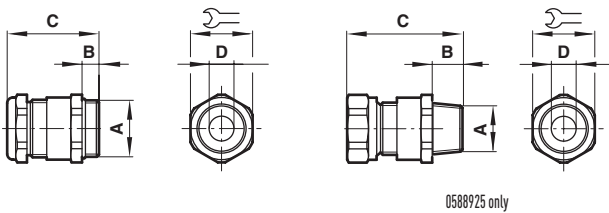
B	Suitable for	G	C	Ø D	Weight (g)	Model
1/4"	G1/4, 1/4 NPT	10	26,5	21	5	0613422
1/2"	G1/2, 1/2 NPT	12	33,5	29	11	0613423

**Inlet filter**

Model: 0613487



**Cable gland**



A	B	C	Ø D		Model
M20 x 1,5	9	36	5 ... 8	22	0588819
M20 x 1,5	6,5	27,5	9 ... 13	22	0589385
M20 x 1,5	14	39	10 ... 14	24	0588851
1/2-14 NPT	15	58	7,5 ... 11,9	24	0588925
M20 x 1,5	14	39	7 ... 12	24	0589395
M20 x 1,5	10	34	10 ... 14	24	0589387

**Warning**

These products are intended for use in industrial compressed air and fluid systems only. Do not use these products where pressures and temperatures can exceed those listed under **Technical features**.

Before using these products with fluids other than those specified, for non-industrial applications, life-support systems, or other applications not within published specifications, consult NORGREN.

Through misuse, age, or malfunction, components used in fluid power systems can fail in various modes.

The system designer is warned to consider the failure modes of all component parts used in fluid power systems and to provide adequate safeguards to prevent personal injury or damage to equipment in the event of such failure.

System designers must provide a warning to end users in the system instructional manual if protection against a failure mode cannot be adequately provided.

System designers and end users are cautioned to review specific warnings found in instruction sheets packed and shipped with these products.