

2/2-way valves DN 1.5 to DN 5.0

For neutral and slightly aggressive gases and liquid fluids

Directly solenoid actuated

Seat valves

Internal threads G 1/8 to G 3/8 or 1/8 NPT to 3/8 NPT

Operating pressure 0 to 40 bar

82610

84620

Description (standard valve)

Solenoid valve for neutral gases and liquids

Switching function:	normally closed
Flow direction:	determined
Fluid temperature:	-10 °C up to max. +110 °C
Ambient temperature:	-10 °C up to max. +50 °C
Mounting position:	optional . preferably solenoid vertical on top

Material

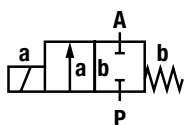
Body:	Stainless steel (1.4408)
Seat seal:	FPM
Internal parts:	Stainless steel

For contaminated fluids insertion of a strainer is recommended (see **Buschjost** accessories).

Features

- Suitable for vacuum
- High flow rate
- Functional compact design
- Body with M5 fastening thread as standard
- Solenoid interchangeable without tools (**Click-on**)
- Valve operates without pressure differential

Symbol



Click-on[®]



Ordering information

To order, quote model number from table overleaf. e.g. 8261823.9101 for a DN 2.5 valve.

Characteristic data

Valves normally closed

Part Number	Nominal Diameter (mm)	Connection size	Operating pressure *		K _v -value ** (Base m ³ /h)	Weight (kg)
			min. (bar)	max. (bar)		
8261803.9101 8462803.9101	1.5	G 1/8 1/8 NPT	0	25	0.07	0.33
8261003.9101 8462003.9101	1.5	G 1/4 1/4 NPT	0	25	0.07	0.33
8261103.9101 8462103.9101	1.5	G 3/8 3/8 NPT	0	25	0.07	0.33
8261823.9101 8462823.9101	2.5	G 1/8 1/8 NPT	0	10	0.15	0.33
8261023.9101 8462023.9101	2.5	G 1/4 1/4 NPT	0	10	0.15	0.33
8261123.9101 8462123.9101	2.5	G 3/8 3/8 NPT	0	10	0.15	0.33
8261823.9151 8462823.9151	2.5	G 1/8 1/8 NPT	0	40	0.15	0.57
8261023.9151 8462023.9151	2.5	G 1/4 1/4 NPT	0	40	0.15	0.57
8261123.9151 8462123.9151	2.5	G 3/8 3/8 NPT	0	40	0.15	0.57
8261843.9101 8462843.9101	3.0	G 1/8 1/8 NPT	0	4	0.21	0.33
8261043.9101 8462043.9101	3.0	G 1/4 1/4 NPT	0	4	0.21	0.33
8261143.9101 8462143.9101	3.0	G 3/8 3/8 NPT	0	4	0.21	0.33
8261843.9151 8462843.9151	3.0	G 1/8 1/8 NPT	0	20	0.21	0.57
8261043.9151 8462043.9151	3.0	G 1/4 1/4 NPT	0	20	0.21	0.57
8261143.9151 8462143.9151	3.0	G 3/8 3/8 NPT	0	20	0.21	0.57
8261863.9151 8462863.9151	4.0	G 1/8 1/8 NPT	0	12	0.35	0.57
8261063.9151 8462063.9151	4.0	G 1/4 1/4 NPT	0	12	0.35	0.57
8261163.9151 8462163.9151	4.0	G 3/8 3/8 NPT	0	12	0.35	0.57
8261883.9151 8462883.9151	5.0	G 1/8 1/8 NPT	0	6	0.50	0.57
8261083.9151 8462083.9151	5.0	G 1/4 1/4 NPT	0	6	0.50	0.57
8261183.9151 8462183.9151	5.0	G 3/8 3/8 NPT	0	6	0.50	0.57

Valves normally open

8261001.9101 8462001.9101	1.5	G 1/4 1/4 NPT	0	16	0.07	0.33
8261021.9101 8462021.9101	2.5	G 1/4 1/4 NPT	0	6	0.15	0.33
8261021.9151 8462021.9151	2.5	G 1/4 1/4 NPT	0	25	0.15	0.57
8261041.9101 8462041.9101	3.0	G 1/4 1/4 NPT	0	3	0.21	0.33
8261041.9151 8462041.9151	3.0	G 1/4 1/4 NPT	0	16	0.21	0.57
8261061.9151 8462061.9151	4.0	G 1/4 1/4 NPT	0	8	0.35	0.57

 * for gases and liquid fluids up to 25 mm²/s (cSt); **G 1/4 - G 1** max. 16 bar on request

State voltage [V] and frequency [Hz]

 ** C_v-value (US) P K_v-value x 1.2

Solenoid 9101 / 9104 and 9151 / 9154

Standard voltage

DC ---	AC ~ 40 Hz – 60 Hz	
24 V	24 V	–
–	110 V	120 V
–	230 V	220 V

Design acc. to DIN VDE 0580

Voltage range $\pm 10\%$

100 % duty cycle

Protection class acc. to EN 60529 IP65

Socket Form A acc. to DIN EN 175301-803 (included)

AC with rectifier plug

Power Consumption

According to DIN VDE 0580 at coil temperature of +20 °C. In operation the power consumption of the solenoid decreases by approx. 30 %.

Solenoid	DC ---	AC ~	
		Inrush	Holding
9101 *	8 W	15 VA	12 VA / 7 W
9151 *	18 W	9 VA	9 VA / 7 W

*  coil only**Attention!#**

The conditions imposed on the Ex approvals lead to reduction of the permissible standard temperature ranges in the cases of explosion protected solenoids.

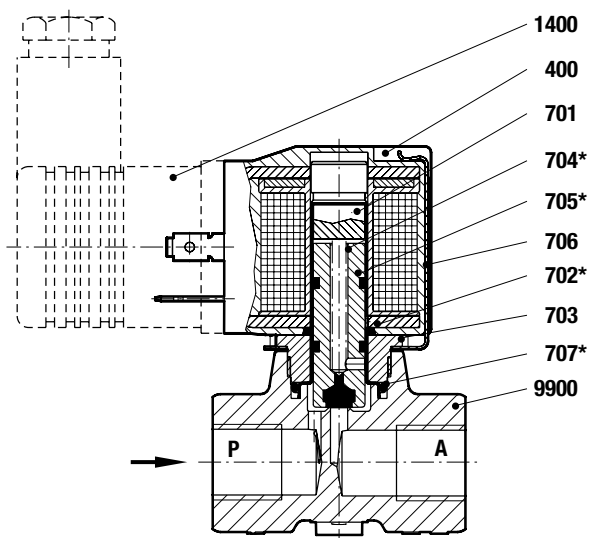
On request:

Seat seal EPDM.

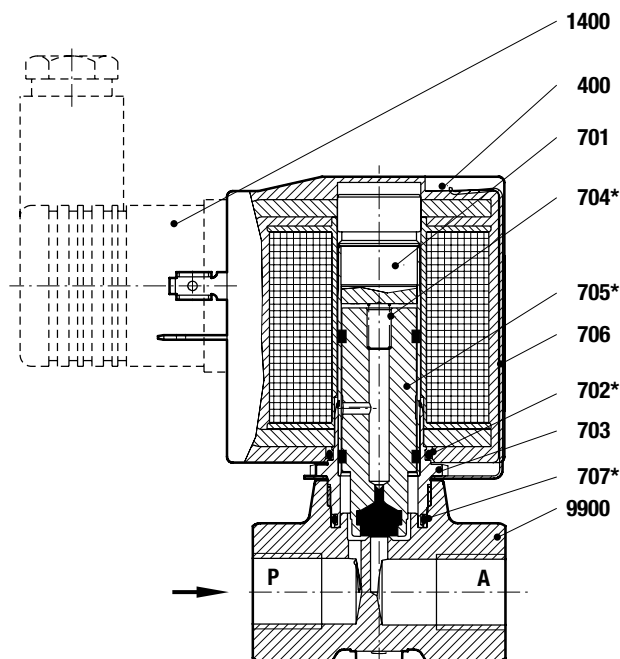
Seat seal PTFE (leakage rate E acc. to EN 12266-1)

Section View

with solenoid 9101



with solenoid 9151



- 400 Solenoid
- 701 Core tube
- *702 O-ring
- 703 Screw piece
- *704 Pressure spring
- *705 Core
- 706 Spring clip
- *707 O-ring
- 1400 Socket (included)
- 9900 Valve body

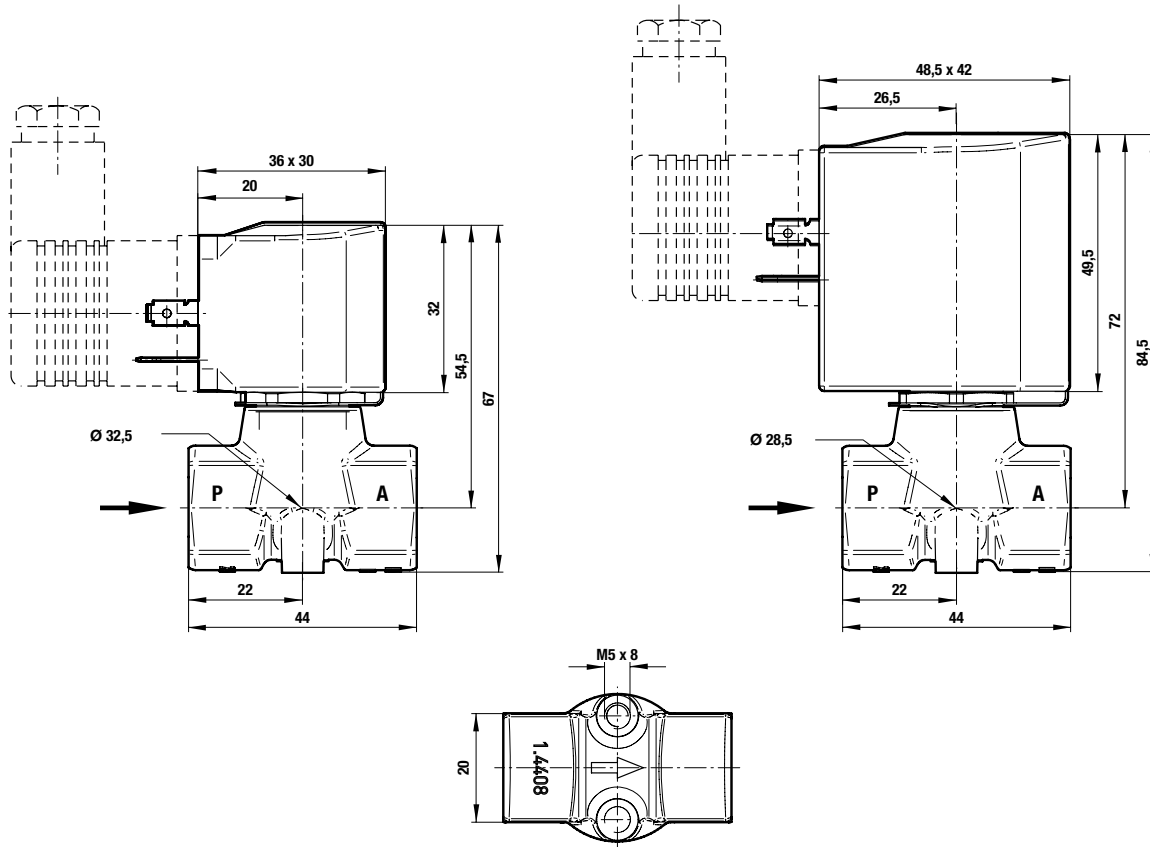
* These individual parts form a complete wearing unit.
When ordering spare parts please state Cat No. and Series No.

General Dimensions

Solenoid rotatable 360°
 Socket turnable 4 x 90°
 (Socket included)

with solenoid 9101

with solenoid 9151



Note to Pressure Equipment Directive (PED):

The valves of this series are according to Art. 3 § 3 of the Pressure Equipment Directive (PED) 97/23/EG. This means interpretation and production are in accordance to engineers practice wellknown in the member countries. The CE-sign at the valve does not refer to the PED. Thus the declaration of conformity is not longer applicable for this directive.

Note to Electromagnetic Compatibility Guideline (EEC):

The valves shall be provided with an electrical circuit which ensures the limits of the harmoniised standards EN 61000-6-3 and EN 61000-6-1 are observed, and hence the requirements of the Electromagnetic Guideline (2004/108/EC) satisfied.