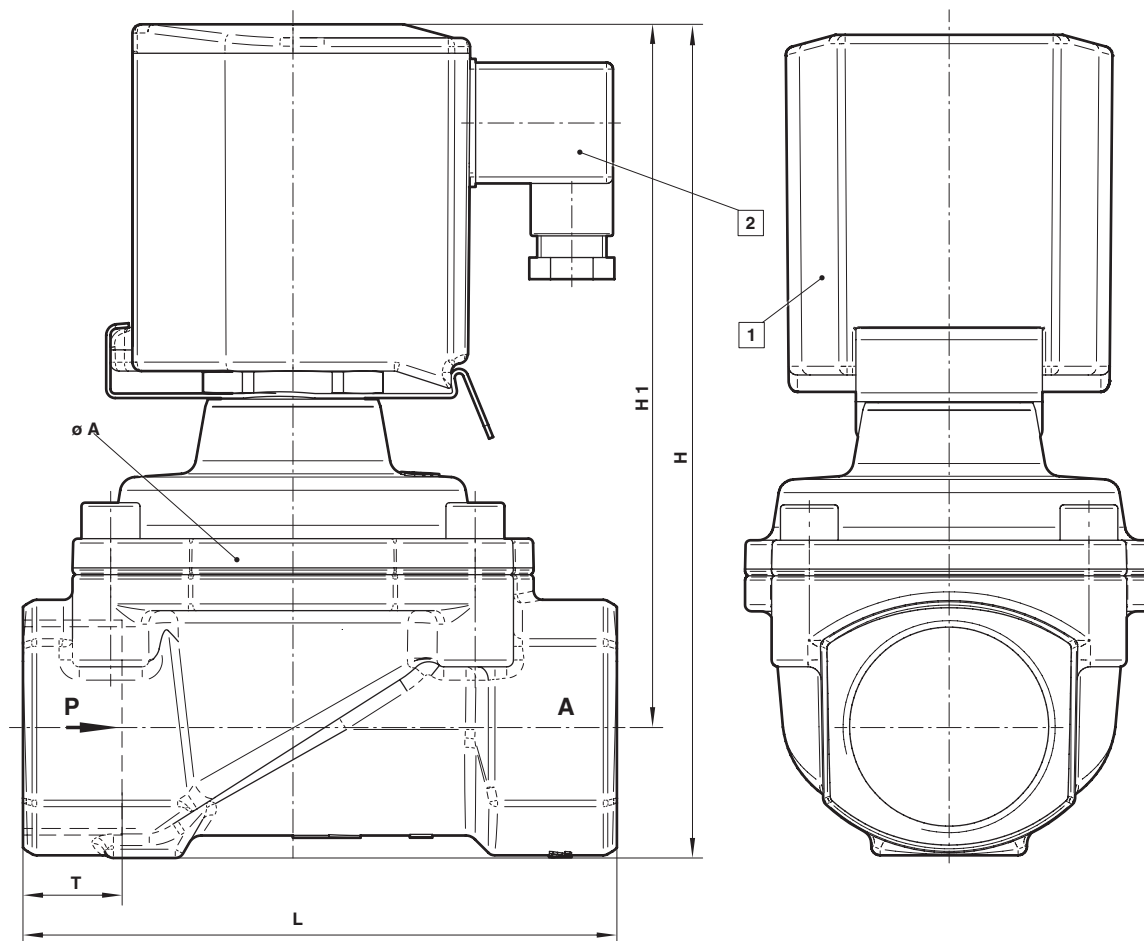


Dimensions

G1 1/4 ... 1 with solenoid 940x (16 bar)
 1 1/4 ... 1 NPT with solenoid 940x (16 bar)



- 1 Solenoid rotatable 360°
- 2 Socket turnable 4 x 90° (Socket included)

Port size R	ø A *1)	H	H1	L	T	Model
G1 1/4	92	186	157	132	20	8254500.940x.xxxxx
1 1/4 NPT	92	186	157	132	17	8264500.940x.xxxxx
G1 1/2	92	186	157	132	22	8254600.940x.xxxxx
1 1/2 NPT	92	186	157	132	17	8264600.940x.xxxxx
G2	109	201,5	167	160	24	8254700.940x.xxxxx
2 NPT	109	201,5	167	160	17,5	8264700.940x.xxxxx

*1) ø A = max. depth

Note to Pressure Equipment Directive (PED):

The valves of this series, including the connection size DN 25 (G 1), are according to Art. 3 § 3 of the Pressure Equipment Directive (PED) 97/23/EG. This means interpretation and production are in accordance to engineers practice wellknown in the member countries.

The CE-sign at the valve refers not to the PED. Thus the declaration of conformity is not longer applicable for this directive.

For valves > DN 25 (G 1) Art. 3 § (1) No.1.4 applies.

The basic requirements of the Enclosure I of the PED must be fulfilled. The CE-sign at the valve includes the PED. A certificate of conformity of this directive will be available on request.

Note to Electromagnetic Compatibility Guideline (EEC):

The valves shall be provided with an electrical circuit which ensures the limits of the harmonised standards EN 61000-6-3 and EN 61000-6-1 are observed, and hence the requirements of the Electromagnetic Compatibility Guideline (2004/108/EG) satisfield.