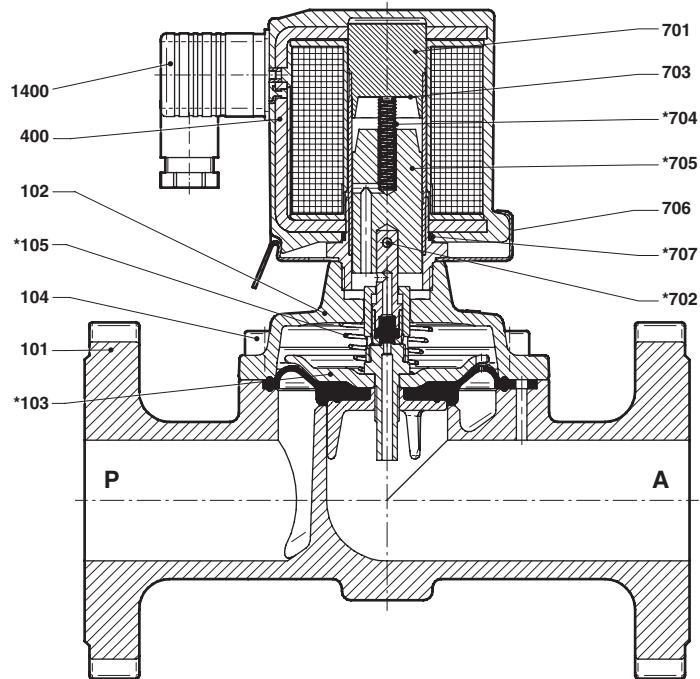


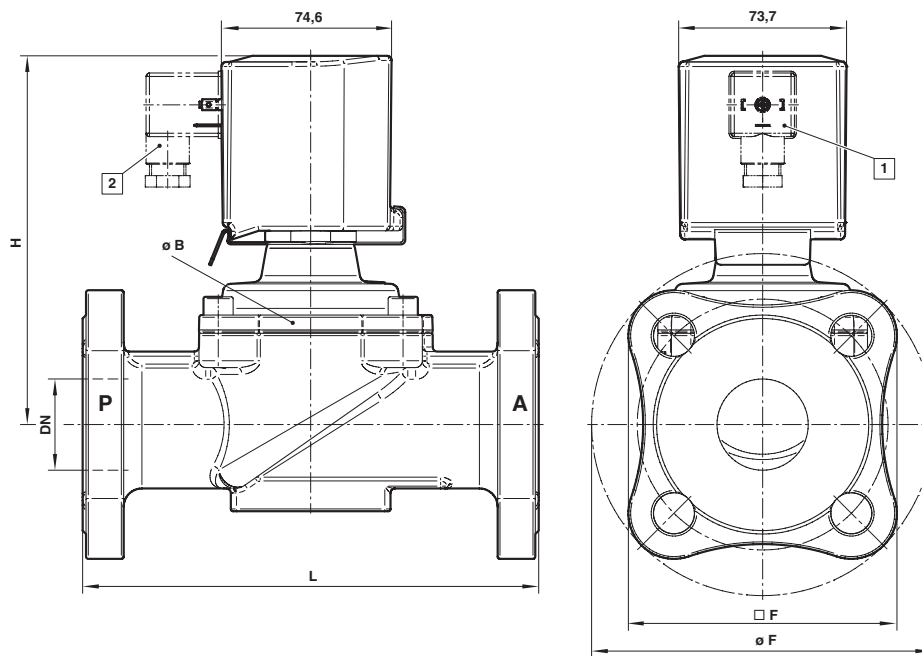
Section View and Dimensions

DN 32 ... 50 with solenoid 940x (16 bar)

No.	Description
101	Valve body
102	Valve cover
*103	Diaphragm
104	Straight pin
*105	Pressure spring
400	Solenoid
701	Core tube
*702	Straight pin
703	Round plate
*704	Pressure spring
*705	Core
706	Spring clip
*707	O-ring
1400	Socket (included)



* These individual parts form a complete wearing unit.
When ordering spare parts please state Cat. No. and Series No.



- 1 Solenoid rotatable 360°
- 2 Socket turnable 4 x 90°
(Socket included)

Orifice (mm)	ø B	ø F	□ F	H	L	Model
32	92	140	110,7	158	180	8304500.940x.xxxxx
40	92	150	117,8	162	200	8304600.940x.xxxxx
50	109	165	128,4	171	230	8304700.940x.xxxxx

Contact face acc to. DIN EN 1092-1/B

Note to Pressure Equipment Directive (PED):

The valves of this series, including the connection size DN 25 (G 1), are according to Art. 3 § 3 of the Pressure Equipment Directive (PED) 97/23/EG. This means interpretation and production are in accordance to engineers practice wellknown in the member countries.

The CE-sign at the valve refers not to the PED. Thus the declaration of conformity is not longer applicable for this directive.

For valves > DN 25 (G 1) Art. 3 § (1) No.1.4 applies.

The basic requirements of the Enclosure I of the PED must be fulfilled. The CE-sign at the valve includes the PED. A certificate of conformity of this directive will be available on request.

Note to Electromagnetic Compatibility Guideline (EEC):

The valves shall be provided with an electrical circuit which ensures the limits of the harmonised standards EN 61000-6-3 and EN 61000-6-1 are observed, and hence the requirements of the Electromagnetic Compatibility Guideline (2004/108/EG) satisfied.