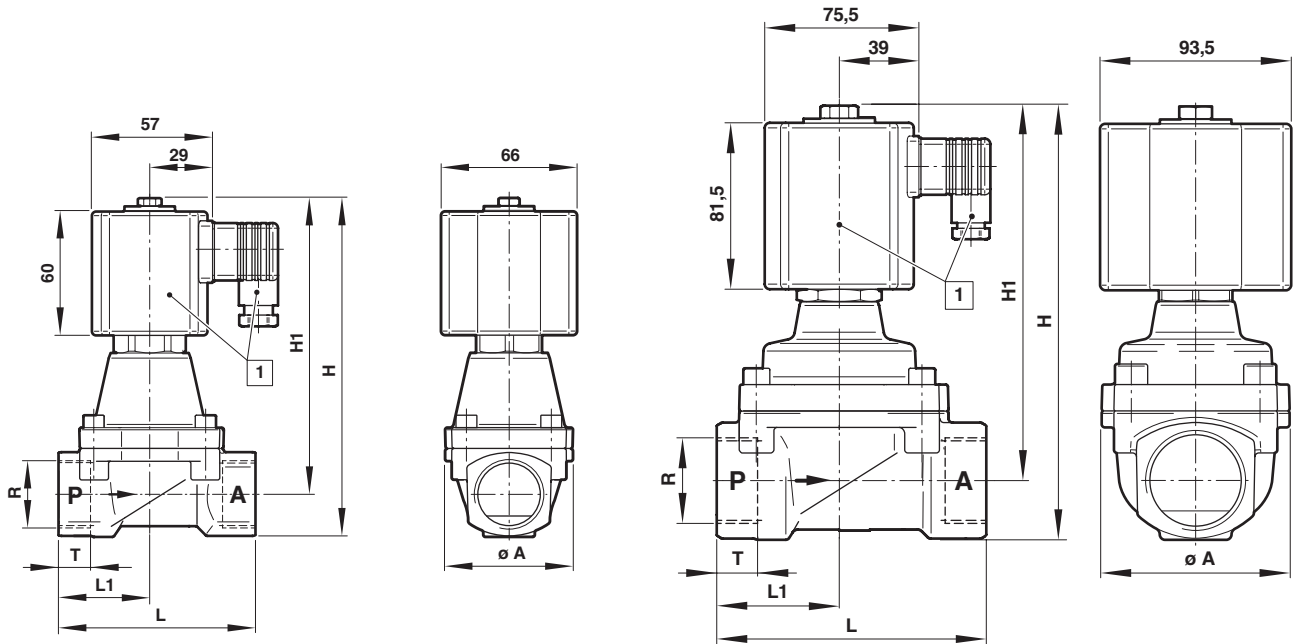


Dimensions
G1/4 ... 1
1/4 ... 1 NPT
G1 1/4 ... 2
1 1/4 ... 2 NPT


1 Solenoid rotatable 360°
 Socket turnable 4 x 90°
 [Socket included]

Port size R	ø A	H	H1	L	L1	T	Model
G1/4	44	143	132	60	27,5	12	8670000.830x.xxxxx
1/4 NPT	44	143	132	60	27,5	10	8671000.830x.xxxxx
G3/8	44	143	132	60	27,5	12	8670100.830x.xxxxx
3/8 NPT	44	143	132	60	27,5	10,5	8671100.830x.xxxxx
G1/2	44	145	132	67	31	14	8670200.830x.xxxxx
1/2 NPT	44	145	132	67	31	13,5	8671200.830x.xxxxx
G3/4	50	154	137	80	35,5	16	8670300.830x.xxxxx
3/4 NPT	50	154	137	80	35,5	14	8671300.830x.xxxxx
G1	62	164	143,5	95	44	18	8670400.830x.xxxxx
1 NPT	62	164	143,5	95	44	17	8671400.830x.xxxxx
G1 1/4	92	212,5	183,5	132	60	20	8670500.840x.xxxxx
1 1/4 NPT	92	212,5	183,5	132	60	17	8671500.840x.xxxxx
G1 1/2	92	212,5	183,5	132	60	22	8670600.840x.xxxxx
1 1/2 NPT	92	212,5	183,5	132	60	17	8671600.840x.xxxxx
G2	109	212,5	183,5	160	74	24	8670700.840x.xxxxx
2 NPT	109	212,5	183,5	160	74	17,5	8671700.840x.xxxxx

Note to Pressure Equipment Directive (PED):

The valves of this series, including the connection size DN 25 (G 1), are according to Art. 3 § 3 of the Pressure Equipment Directive (PED) 97/23/EG. This means interpretation and production are in accordance to engineers practice wellknown in the member countries.

The CE-sign at the valve refers not to the PED. Thus the declaration of conformity is not longer applicable for this directive.

For valves > DN 25 (G 1) Art. 3 § (1) No.1.4 applies.

The basic requirements of the Enclosure I of the PED must be fulfilled. The CE-sign at the valve includes the PED. A certificate of conformity of this directive will be available on request.

Note to Electromagnetic Compatibility Guideline (EEC):

The valves shall be provided with an electrical circuit which ensures the limits of the harmonised standards EN 61000-6-3 and EN 61000-6-1 are observed, and hence the requirements of the Electromagnetic Compatibility Guideline (2004/108/EG) satisfied.