

2/2-way valves DN 15 to DN 25

For aggressive gases and liquids

Pressure actuated by external fluid

Seat valves

Internal thread G 1/2 to G 1 or 1/2 NPT to 1 NPT

Operating pressure (see table)

84740

84750

Description (standard valve)

Switching function:	normally closed
Flow direction:	determined
Mounting position:	as required

Process fluid characteristics / Valve material

Fluid temperature:	-10 °C up to max. +180 °C
Ambient temperature:	-10 °C up to max. +60 °C
Material body:	Stainless steel
Seat seal:	PTFE
Internal parts:	Stainless steel
Spindle sealing:	PTFE / FPM; self-adjustable

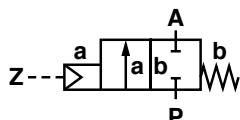
Pilot fluid characteristics / Actuator material

Pilot fluid:	neutral gases
Fluid temperature:	max. +60 °C
Actuator body:	Polyamid 66 with 30 % fibre glass
Seat seals:	NBR
Internal parts:	Brass, Stainless steel

Features

- Optical position indicator is standard
- Damped closing (valve closes against flow direction)
- Suitable for contaminated process fluids
- Suitable for vacuum up to max. 90 %
- Reversed flow direction optional
- High flow rate
- Optional pressure actuation by liquid pilot fluids

Symbol



Ordering information

To order, quote model number from table overleaf, e. g. 8474400.0000 for a DN 25 valve.

Stainless Steel



Characteristic Data

Valves

Part-Number ◊	Nominal Diameter (mm)	Connection Size	Pilot Pressure		Operating Pressure *		k _v -value ** (Base m ³ /h)	Weight Total *** (kg)
			min. (bar)	max. (bar)	min. (bar)	max. (bar)		
8474200.0000 8475200.0000	15	G 1/2 1/2 NPT	3.5	10	0	16	4.8	1.3
8474300.0000 8475300.0000	20	G 3/4 3/4 NPT	3.5	10	0	8	10.0	1.4
8474400.0000 8475400.0000	25	G 1 1 NPT	3.5	10	0	5	14.0	1.7

◊ Note: **0000** without pilot valve
9101 with pilot valve for DC and AC
3037 NAMUR- pilot valve 97100
9151 with pilot valve for DC and AC for quick exhausting

* for gases and liquid fluids up to 600 mm²/s (cSt)

** C_v-value (US) ≈ k_v-value x 1.2

*** without pilot valve

State voltage [V] and frequency [Hz]

Notes

for 3/2-way pilot valve 84660 / 84680

Material body brass 2.0402

Pilot fluid temperature max. +60 °C

Pilot pressure: 1 – 10 bar

Standard voltages: 24 V DC, 24 V AC, 230 V AC

Electrical Data

for 3/2-way pilot valve 84660 / 84680

Design acc. to DIN VDE 0580

Voltage range ± 10 %

Duty cycle (ED) 100 %

Protection class to EN 60529 IP65

Socket acc. to DIN EN 175301-803 (included)

Notes

for 3/2-way pilot valve 97100 hole pattern NAMUR

Material body aluminium elox

Pilot fluid temperature –10 °C to +50 °C

Pilot pressure: 2 – 8 bar

Standard voltages 24 V DC, 24 V AC, 230 V AC

Data

for 3/2-way pilot valve 97100 hole pattern NAMUR

Design acc. to DIN VDE 0580

Voltage range ± 10 %

Duty cycle (ED) 100 %

Protection class to EN 60529 IP65

Socket acc. to DIN EN 175301-803 (included)

Further Options (Valves)

XXXXX01.XXXX Normally open, closes with pilot pressure and opens with spring force (pilot pressure 1 – 6 bar)

XXXXX08.XXXX Double acting; 4/2 or 5/2-way-pilot valve required

XXXXX23.XXXX Double electrical position indicator with 2 solenoid switches

XXXXX50.XXXX NAMUR interface plate

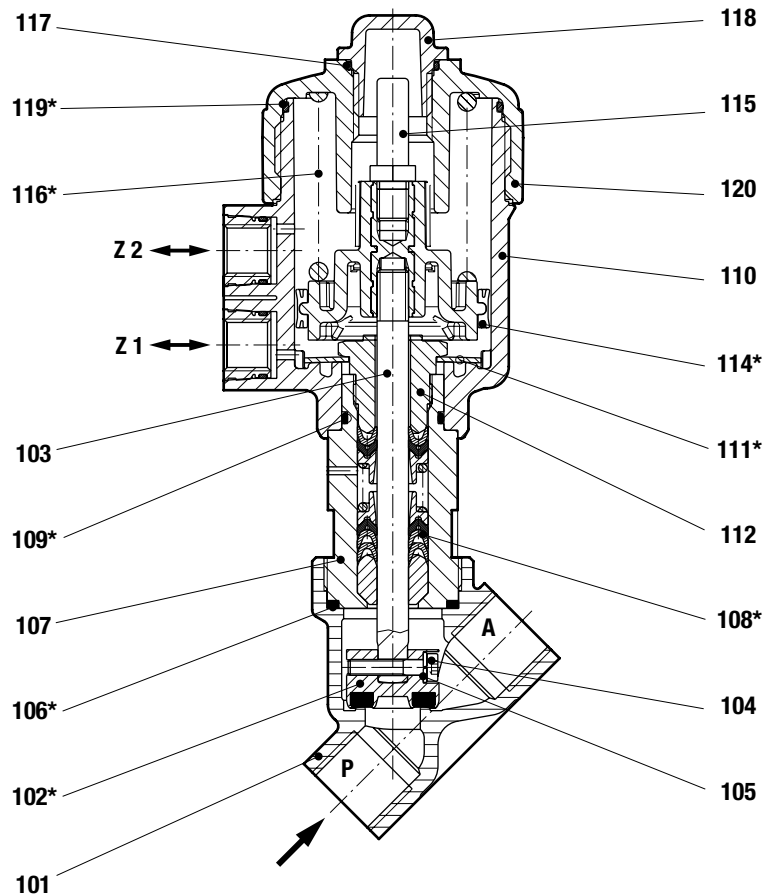
On Request: Several seats NBR, FPM, EPDM
stroke limiter
silencer

Mounting accessories NAMUR

Interface plate NAMUR hole pattern for retrofit, (part number **1256566**) consist of:

- 1x NAMUR interface plate
- 2x Adapter screw
- 2x O-ring

Section View



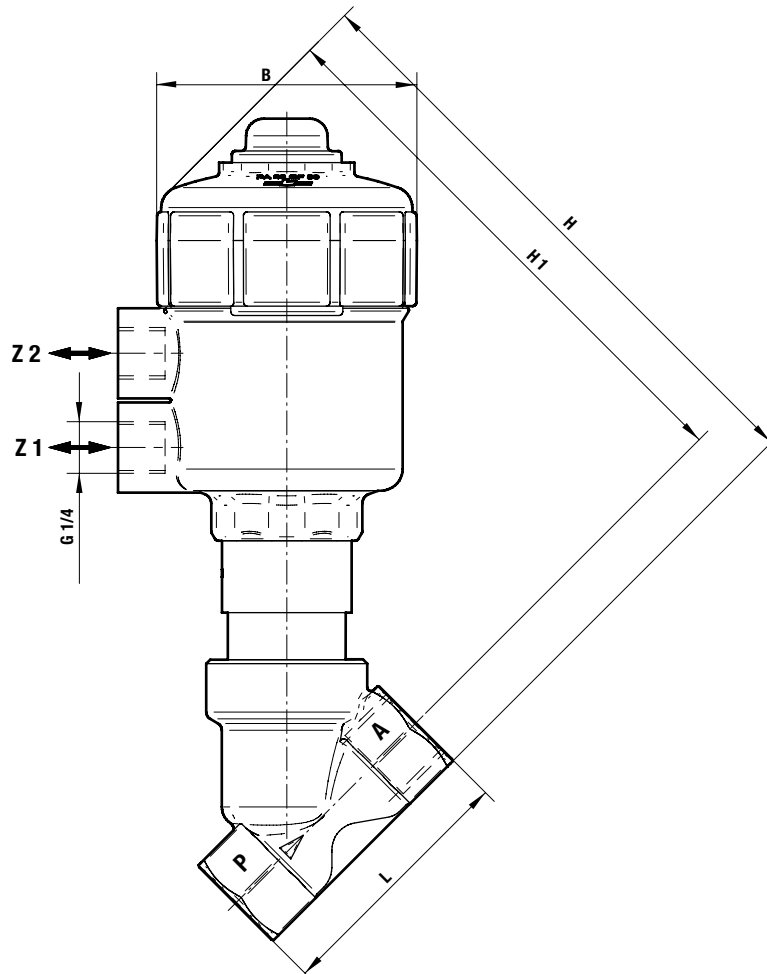
- 101 Valve body
- *102 Valve plate
- 103 Valve spindle assembly
- 104 Allen head screw
- 105 Spring washer
- *106 Gasket
- 107 Screw piece
- *108 Spindle sealing
- *109 O-ring
- 110 Bottom of control head housing
- *111 Cup spring
- 112 Screw piece
- *113 Pressure spring

- *114 Piston seal
- 115 Signal pin
- *116 Pressure spring
- 117 O-ring
- 118 End cap
- *119 O-ring
- 120 Control head housing cover

* These individual parts form a complete wearing unit.
When ordering spare parts please state Cat. No. and Series No.

General Dimensions

Actuator may be rotated 360°



Part Number	Nominal Diameter (mm)	Connection Size	L (mm)	B (mm)	H (mm)	H1 (mm)
8474200.0000 8475200.0000	15	G 1/2 1/2 NPT	65	66	154	140.5
8474300.0000 8475300.0000	20	G 3/4 3/4 NPT	75	66	160	144.0
8474400.0000 8475400.0000	25	G 1 1 NPT	90	66	171	150.5

Note to Pressure Equipment Directive (PED):

The valves of this series, including the connection size DN 25 (G 1), are according to Art. 3 § 3 of the Pressure Equipment Directive (PED) 97/23/EG. This means interpretation and production are in accordance to engineers practice wellknown in the member countries.

The CE-sign at the valve refers not to the PED. Thus the declaration of conformity is not longer applicable for this directive.

For valves > DN 25 (G 1) Art. 3 § (1) No.1.4 applies.

The basic requirements of the Enclosure I of the PED must be fulfilled. The CE-sign at the valve includes the PED. A certificate of conformity of this directive will be available on request.

Note to Electromagnetic Compatibility Guideline (EEC):

The valves shall be provided with an electrical circuit which ensures the limits of the harmonised standards EN 61000-6-3 and EN 61000-6-1 are observed, and hence the requirements of the Electromagnetic Compatibility Guideline (2004/108/EG) satisfied.